

Electric Slicer & Grater

User's manual

EN



SENCOR®

SSG 3500WH / SSG 3501GR / SSG 3502BL
SSG 3503OR / SSG 3504RD / SSG 3505VT
SSG 3506YL / SSG 3507TQ / SSG 3508RS

Prior to using this appliance, please read the user's manual thoroughly, even if you already have experience in using similar appliances. Only use the appliance in the manner described in this user's manual. Keep this user's manual in a safe place where it can be easily retrieved for future use.

We recommend saving the original cardboard box, packaging material, purchase receipt and responsibility statement of the vendor and warranty card for at least the duration of the legal liability for unsatisfactory performance or quality. In the event of transportation, we recommend that you pack the appliance in the original box from the manufacturer.

Electric Slicer & Grater

SSG 3500WH / SSG 3501GR / SSG 3502BL / SSG 3503OR / SSG 3504RD
SSG 3505VT / SSG 3506YL / SSG 3507TQ / SSG 3508RS

TABLE OF CONTENTS

IMPORTANT SAFETY INSTRUCTIONS	3
DESCRIPTION OF THE APPLIANCE AND ACCESSORIES	6
BEFORE FIRST USE	7
SELECTING ATTACHMENT TYPES	7
ASSEMBLING AND DISASSEMBLING THE APPLIANCE	8
OPERATING THE APPLIANCE	8
USEFUL TIPS	9
TROUBLESHOOTING	9
CLEANING AND MAINTENANCE	10
STORAGE	10
TECHNICAL SPECIFICATIONS	11
INSTRUCTIONS AND INFORMATION REGARDING THE DISPOSAL OF USED PACKAGING MATERIALS	11
DISPOSAL OF USED ELECTRICAL AND ELECTRONIC EQUIPMENT	11

Electric Slicer & Grater

SSG 3500WH / SSG 3501GR / SSG 3502BL / SSG 3503OR / SSG 3504RD
SSG 3505VT / SSG 3506YL / SSG 3507TQ / SSG 3508RS

EN

IMPORTANT SAFETY INSTRUCTIONS READ CAREFULLY AND STORE FOR FUTURE USE.

- Children must not use this appliance or play with it. Keep this appliance and its power cord out of the reach of children.
- This appliance may be used by persons with physical or mental impairments or by inexperienced persons, if they are properly supervised or have been informed about how to use the product in a safe manner and understand the potential dangers.
- Before connecting this appliance to a power socket, make sure the voltage stated on its rating label corresponds to the voltage supplied from your power socket.
- The appliance is intended for processing a standard amount of food in the household.
- Do not use the appliance in industrial surroundings or outdoors.
- Never use accessories, which have not been supplied with this appliance or which have not been explicitly recommended by the manufacturer for this appliance.
- Do not place the appliance on window sills or on unstable surfaces.
- Do not place the appliance on an electric or gas stove, in the vicinity of an open flame or appliances that are sources of heat.
- This appliance is used to process fruit, vegetables, hard cheese, chocolate, nuts and make breadcrumbs from hard baked goods. It generally applies that the appliance can only be used to process such foodstuffs that can be cut using a kitchen knife. Do not use it for mincing meat, for processing nut shells, hard fruit stones, frozen or excessively hard foodstuffs such as, for example, coffee beans, nutmeg, etc. or for purposes for which it is not intended.
- The cutting blades on the slicing and grating attachments are very sharp and so it is necessary to be especially careful when handling them to prevent injury.
- Before attaching any attachments to the appliance, removing or replacing them, ensure that the appliance is turned off and

Electric Slicer & Grater

SSG 3500WH / SSG 3501GR / SSG 3502BL / SSG 3503OR / SSG 3504RD
SSG 3505VT / SSG 3506YL / SSG 3507TQ / SSG 3508RS

disconnected from the power socket and that the rotating attachment has stopped.

- Make sure that the appliance is correctly assembled before putting it into operation. Do not touch the appliance with wet hands when it is in operation.
- Do not touch the rotating attachment and ensure that foreign items such as clothing, hair, kitchen utensils, etc. are kept away. An injury could occur or the appliance could be damaged.
- Always use the supplied pusher to push food through the feed tube. Never use your hands or other items.
- The appliance must not run without a load. The incorrect use of the appliance may negatively affect its service life.
- Do not leave the appliance in continuous operation for longer than 2 minutes. Before turning it on again, allow it to cool down for at least 3 minutes.
- Always turn off the appliance and disconnect it from the power socket if you will not be using it and if you will be leaving it without supervision, before assembly, disassembly, cleaning or moving it. Always wait for the rotating attachment to come to a complete stop before handing the appliance in any way.
- Do not spray the motor unit of the appliance with water or any other liquid, do not submerge it in water or other liquids, or wash it under running water.
- Ensure that the power plug contacts do not come into contact with water or moisture.
- Do not place heavy items on the power cord. Make sure the power cord does not hang over the edge of a table or that it does not touch a hot surface.
- Do not disconnect the appliance from the power socket by pulling on the power cord. This could damage the power cord or the power socket. Disconnect the cord from the power socket by gently pulling the plug of the power cord.
- If the power cord is damaged, have it replaced at a professional service centre. It is forbidden to use the appliance if it has a damaged power cord or plug.

Electric Slicer & Grater

SSG 3500WH / SSG 3501GR / SSG 3502BL / SSG 3503OR / SSG 3504RD
SSG 3505VT / SSG 3506YL / SSG 3507TQ / SSG 3508RS

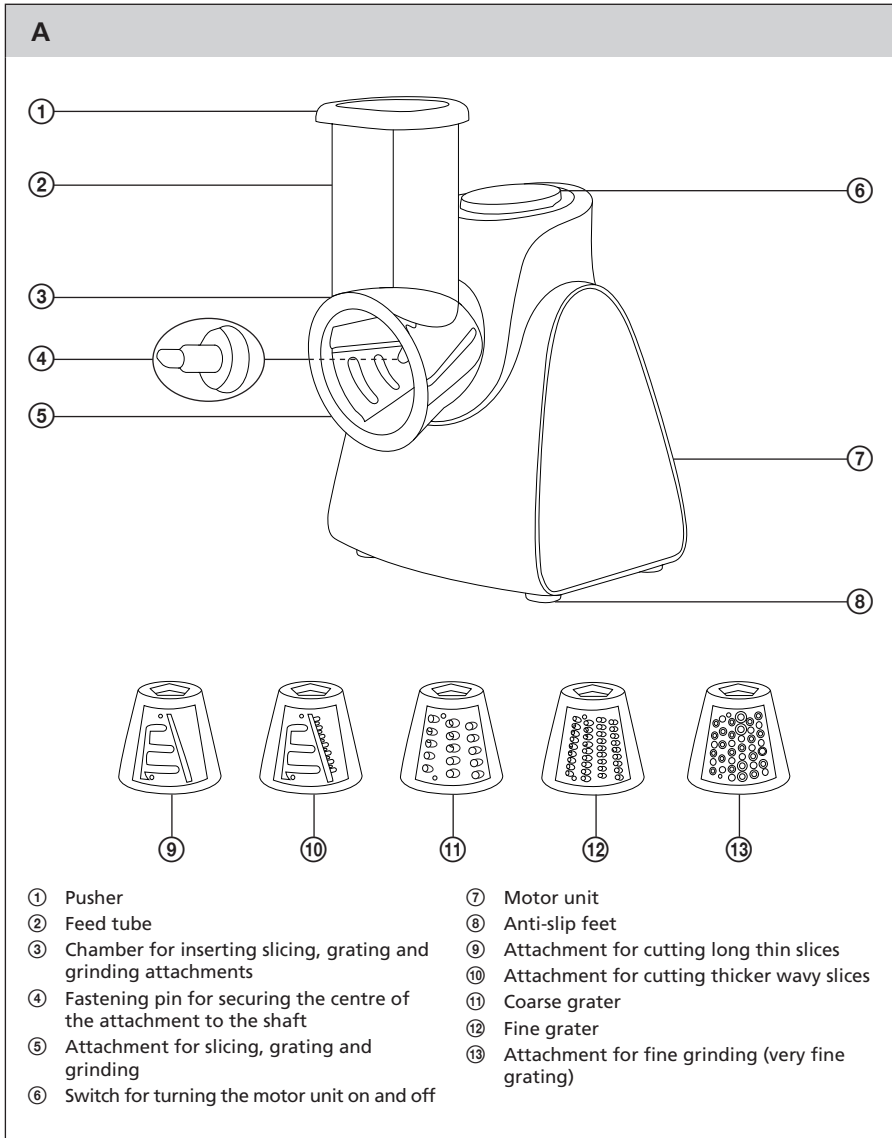
EN

- To avoid the danger of injury by electrical shock, do not repair the appliance yourself or make any adjustments to it. Have all repairs or adjustments of the appliance performed at an authorised service centre. By tampering with the appliance you risk voiding your legal rights arising from unsatisfactory performance or quality warranty.

Electric Slicer & Grater

SSG 3500WH / SSG 3501GR / SSG 3502BL / SSG 3503OR / SSG 3504RD
SSG 3505VT / SSG 3506YL / SSG 3507TQ / SSG 3508RS

DESCRIPTION OF THE APPLIANCE AND ACCESSORIES



Electric Slicer & Grater

SSG 3500WH / SSG 3501GR / SSG 3502BL / SSG 3503OR / SSG 3504RD
SSG 3505VT / SSG 3506YL / SSG 3507TQ / SSG 3508RS

EN

BEFORE FIRST USE

1. Take the appliance and its accessories out of the packaging materials.
2. Thoroughly wash all parts that are intended to come into contact with food (pusher A①, feed tube A② with chamber A③, fastening pin A④ and attachments A⑨–⑬) using warm water and a neutral kitchen detergent. Then rinse with clean water and wipe dry.



Attention:

The cutting blades on the slicing and grating attachments A⑨–⑬ are very sharp and so it is necessary to be especially careful when handling them to prevent injury.

SELECTING ATTACHMENT TYPES

Food type	Attachment for cutting long thin slices A⑨	Attachment for cutting thicker wavy slices A⑩	Coarse grater A⑪	Fine grater A⑫	Grinding attachment A⑬
Fruit					
Apples	•	•	•	•	
Fresh coconut				•	•
Peaches (without stones)	•	•			
Pears	•	•			
Strawberries	•	•			
Vegetables					
Red and white cabbage	•	•	•	•	
Carrot	•	•	•	•	
Zucchini	•	•	•		
Cucumbers	•	•	•		
Celery	•	•	•	•	
Onion	•	•	•		
Potatoes	•	•	•	•	
Radish	•	•	•	•	
Sweet potatoes	•	•	•	•	
Other foods					
Hard baked goods					•
Hard cheese (e.g. Parmesan cheese)			•	•	•
Chocolate			•	•	•
Nuts without shells					•



Note:

The provided table only recommends the suitable attachment type for the given type of food. If necessary, it is possible to use your preferred attachment for the given type of food.

Electric Slicer & Grater

SSG 3500WH / SSG 3501GR / SSG 3502BL / SSG 3503OR / SSG 3504RD
SSG 3505VT / SSG 3506YL / SSG 3507TQ / SSG 3508RS

The table includes the most common types of food that can be processed using this appliance. However, you can also use it for other types of food, for which it generally applies that it can be cut using a kitchen knife.

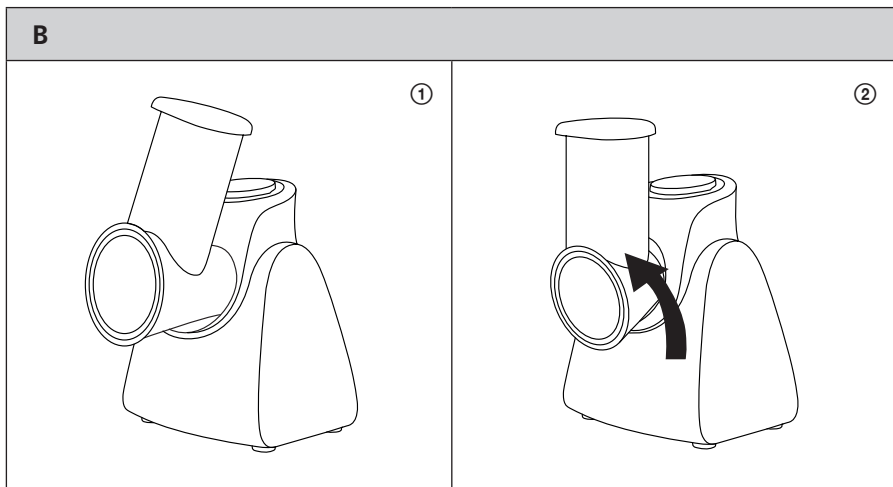


Attention:

Do not use the appliance for mincing meat, for processing nut shells or hard fruit stones contained, for example, in mangoes or avocados, frozen or other very hard foods such as coffee beans, nutmeg, etc.

ASSEMBLING AND DISASSEMBLING THE APPLIANCE

- Before you start assembling or disassembling the appliance, check that it is turned off and disconnected from the el. power socket.
- Place the motor unit A⑦ on an even dry and stable surface. Place the chamber A③ with the feed tube A② slightly tilted to the right against the hole in the motor unit A⑦ (see fig. B①) and turn it anticlockwise all the way so that the feed tube A② is in a vertical position perpendicular to the level at which the motor unit is located (see fig. B②)



- Select one of the attachments A⑨–⑬ and insert it into the chamber A③, so that the shaft inside the chamber A③ slides into the pentagonal hole in the centre of the attachment. Place the fastening pin A④ against the shaft and turn it anticlockwise all the way to secure the attachment in position.
- Disassemble the appliance in the reverse sequence.

OPERATING THE APPLIANCE

1. Prepare the food and cut it into pieces that will pass through the feed tube A②. Kernels and stones may need to be removed from certain types of fruit and vegetables.
2. Make sure that the appliance is correctly assembled and located on an even, dry and stable surface. Insert the power plug into an electrical power socket. Place a suitable container under the chamber A③.

Electric Slicer & Grater

SSG 3500WH / SSG 3501GR / SSG 3502BL / SSG 3503OR / SSG 3504RD
SSG 3505VT / SSG 3506YL / SSG 3507TQ / SSG 3508RS

EN

3. Before you start inserting food into the feed tube A②, press the switch A⑥ once or twice to ensure that the attachment is properly seated on the shaft. Then hold down the switch A⑥ and start to gradually insert food into the feed tube A②. Use the pusher A① to push food through the feed tube A②.



Attention:

Do not use your fingers or other items to push food in. Always use the pusher A① designed for this purpose.

The maximum continuous operating time is 2 minutes. Before turning it on again, allow the appliance to cool down for at least 3 minutes.

4. To turn off the appliance, release the switch A⑥. When you have finished using it, disconnect the appliance from the power socket and clean it out according to the instructions contained in the 'Cleaning and maintenance' chapter.

USEFUL TIPS

- Check the suitability of the individual attachments for specific food types in the 'Attachment type selection' table.
- To achieve the best possible results, process fresh not overly ripened fruit. The same applies to vegetables.
- You can place softer fruit such as strawberries into a freezer for a few minutes.
- Semi-hard cheese will be processed better if you place it in a refrigerator overnight or in a freezer for 30 minutes.
- We do not recommend processing soft or already grated cheese as this could clog up the chamber A③.
- If you are using the fine grater A⑫ or the thin slicer attachment A⑨ then push the food through the feed tube A② gently. When using the coarse grater A⑪ or the thick slicer A⑩, it is necessary to push food through with greater force.
- This appliance is not designed for processing meat or types of food that are too hard to be cut with a kitchen knife.

TROUBLESHOOTING

- This table shows situations that may arise when using the appliance. If the table does not help you in resolving your problem, please contact an authorised service centre.

Problem	Possible solution to the problem
When the switch A⑥ is pressed and held down, the appliance runs only intermittently or it does not start up at all.	Turn off the appliance and disconnect it from the power socket and wait for the rotating parts to come to a stop. Check that you have assembled the appliance correctly according to the instructions in the 'Assembling and disassembling the appliance' chapter.
The chamber A③ becomes clogged during operation.	Pieces of food could have stuck to the attachment and clogged the chamber A③. If this happens, turn off the appliance and disconnect it from the power socket and wait for the rotating parts to come to a stop. Remove the attachment and the chamber A③. Then clean it out according to the instructions in the 'Cleaning and maintenance' chapter.
A greater force is needed to push food through the feed tube A②.	Harder types of food such as potatoes or hard cheese need to be pushed through the feed tube A② with greater force. This is completely normal. Take a three minute break after every 2 minutes of operation.

Electric Slicer & Grater

SSG 3500WH / SSG 3501GR / SSG 3502BL / SSG 3503OR / SSG 3504RD
SSG 3505VT / SSG 3506YL / SSG 3507TQ / SSG 3508RS

CLEANING AND MAINTENANCE

- Clean out the appliance after every use.
- Before cleaning it, make sure that the appliance is turned off and disconnected from the power socket and that the rotating parts have stopped.
- Remove the used attachment and chamber A③ with the feed tube A② from the motor unit.
- Wash the accessories (attachment, chamber A③ with feed tube A②, pusher A① and the fastening pin A④) with warm water and neutral kitchen detergent. Then rinse under clean running water and wipe dry.

**Attention:**

The cutting blades on the slicing and grating attachments A⑨–⑬ are very sharp and so it is necessary to be especially careful when handling them to prevent injury.

**Note:**

Certain types of food, such as carrot, may cause discolouration of plastic parts of the appliance. If this occurs, dip a paper kitchen towel in a small amount of cooking oil and apply it on to the discoloured part of the appliance as soon as possible. Then clean this part in the usual manner.

- To clean the motor unit A⑦, use a cloth dipped in a weak neutral detergent solution. Then wipe everything with a clean dampened cloth and wipe dry.
- Never submerge the appliance or its power cord in water or any other liquids. For cleaning, do not use thinners or solvents or cleaning agents that cause abrasion. Otherwise the surface of the appliance may be damaged.

STORAGE

If you will not be using the appliance, store it in a dry place out of the reach of children.

Electric Slicer & Grater

SSG 3500WH / SSG 3501GR / SSG 3502BL / SSG 3503OR / SSG 3504RD
SSG 3505VT / SSG 3506YL / SSG 3507TQ / SSG 3508RS

EN

TECHNICAL SPECIFICATIONS

Rated voltage range	220–240 V
Rated frequency	50/60 Hz
Rated power input	150 W
Safety class (for electric shock protection)	II
Noise level	85 dB(A)

The declared noise emission level of the appliance is 85 dB(A), which represents a level A of acoustic power with respect to a reference acoustic power of 1 pW.

Explanation of technical terminology

Safety class for electric shock protection:

Class II – Electric shock protection is provided by double or heavy-duty insulation.

Amendments to the text and technical parameters are reserved.

INSTRUCTIONS AND INFORMATION REGARDING THE DISPOSAL OF USED PACKAGING MATERIALS

Dispose of used packaging materials at a site designated for waste in your municipality.

DISPOSAL OF USED ELECTRICAL AND ELECTRONIC EQUIPMENT



This symbol on products or original documents means that used electric or electronic products must not be added to ordinary municipal waste. For proper disposal, renewal and recycling hand over these appliances to determined collection points. Alternatively, in some European Union states or other European countries you may return your appliances to the local retailer when buying an equivalent new appliance. Correct disposal of this product helps save valuable natural resources and prevents potential negative effects on the environment and human health, which could result from improper waste disposal. Ask your local authorities or collection facility for more details. In accordance with national regulations, penalties may be imposed for the incorrect disposal of this type of waste.

For business entities in European Union states

If you want to dispose of electric or electronic appliances, ask your retailer or supplier for the necessary information.

Disposal in other countries outside the European Union.

This symbol is valid in the European Union. If you wish to dispose of this product, request the necessary information about the correct disposal method from the local council or from your retailer.



This appliance meets all the basic requirements of EU directives related to it.

Electric Slicer & Grater

SSG 3500WH / SSG 3501GR / SSG 3502BL / SSG 3503OR / SSG 3504RD
SSG 3505VT / SSG 3506YL / SSG 3507TQ / SSG 3508RS