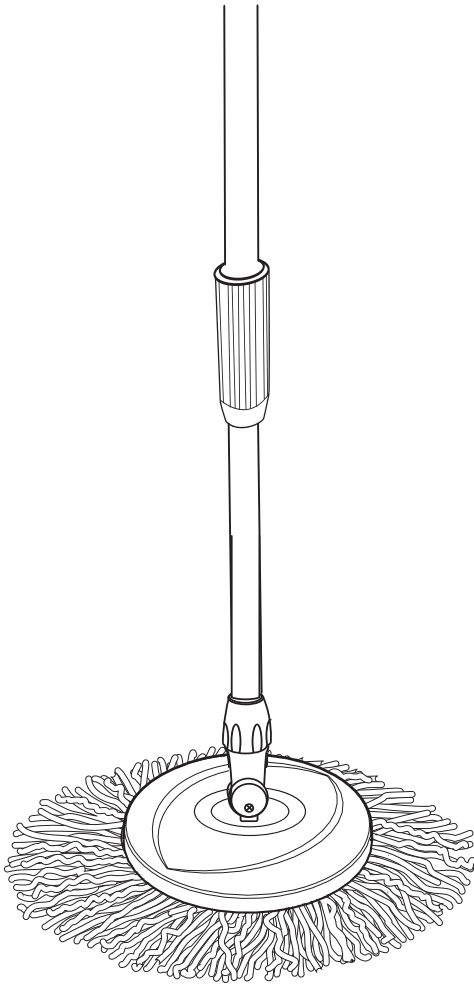
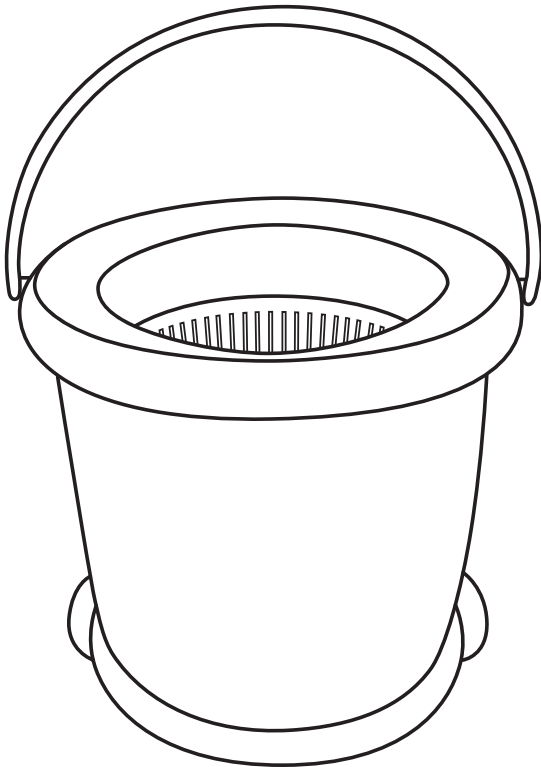
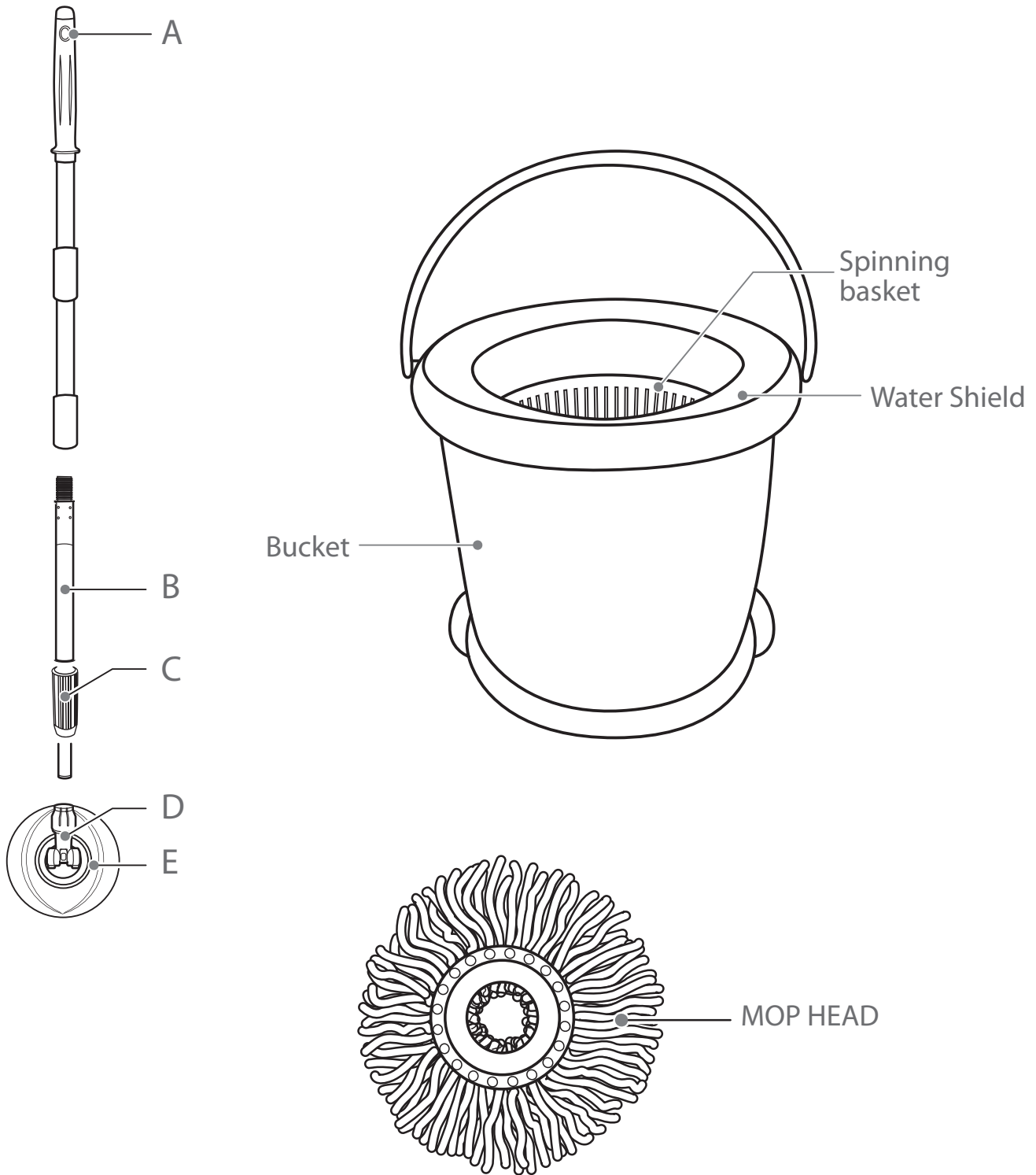




# CIRCLE



# EN PHOTOS INSTRUCTION



- Ⓐ Handle grip
- Ⓑ Stainless steel shaft
- Ⓒ Lock
- Ⓓ Plastics nut
- Ⓔ Mop plate

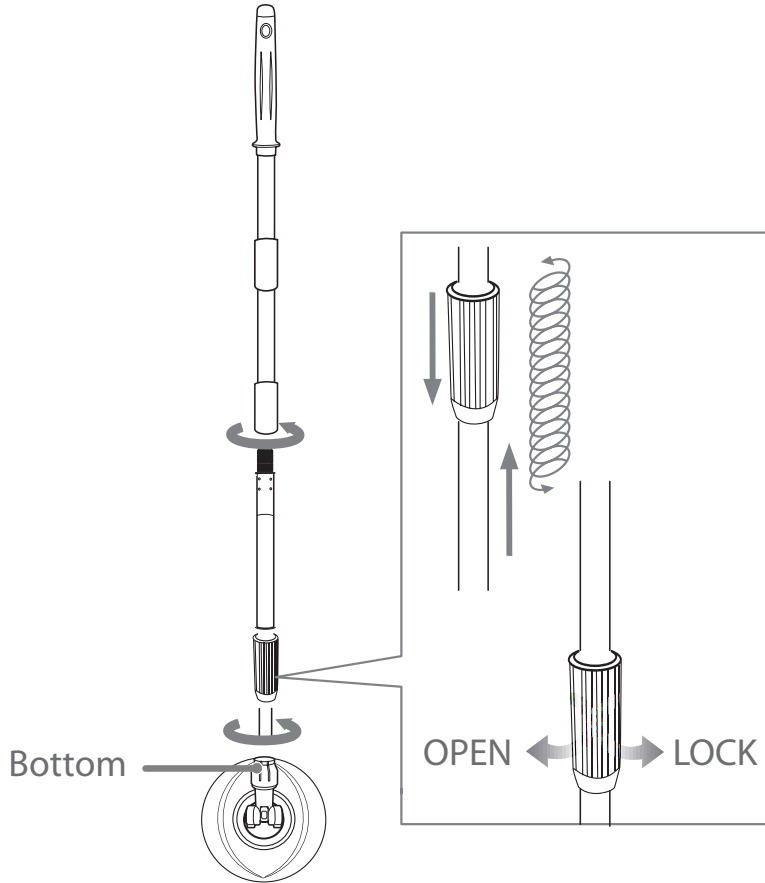
## DETAILS:

Bucket 1 pc	Mop plate 1 pc
Handle 1 set	Mop head 2 pcs

# POLE ASSEMBLING

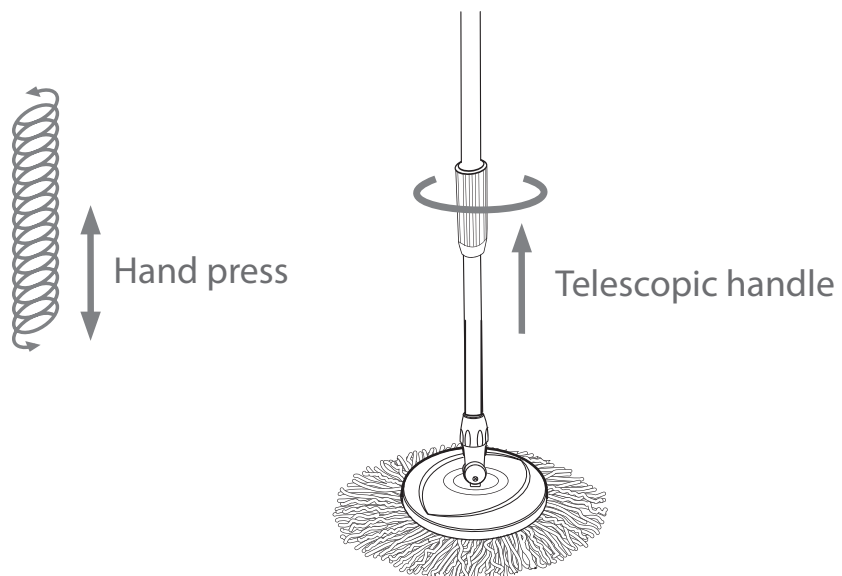
## POLE ASSEMBLING

Before using, kindly confirm the parts and assemble tight when assembling.  
Please note the direction of the connection as shown



## STEPS TO NOTE

### MOP HEAD ASSEMBLING



## STEPS TO NOTE

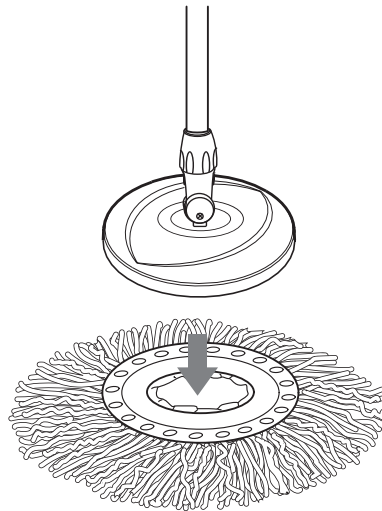
### MOP HEAD ASSEMBLING

Put the plastic plate directly on the plastic disk of mop head.



#### WARNING:

Please pay attention on the floor to avoid from slipping.

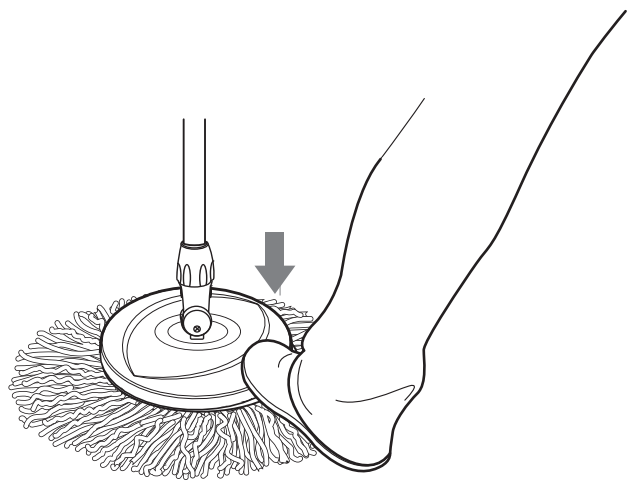


When faced, please put your foot on the plate to step tightly.



#### WARNING:

Please stop stepping when you hear the „KA“ sound.



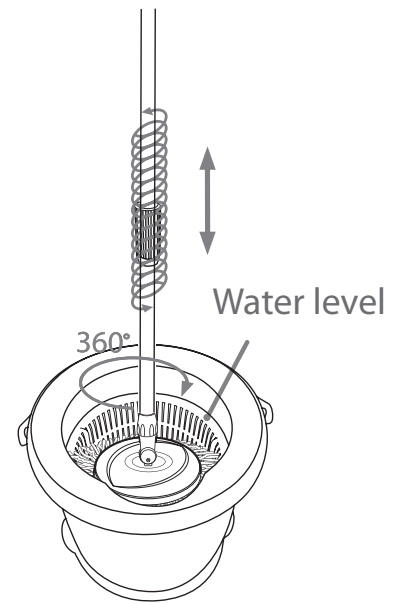
### CHANGE THE MOP REFILL

To remove the mop head, put your foot on the side of the refill and push the handle to the opposite direction.



## THE WAY TO WASH THE MOP HEAD

1. Fill the water to the bucket, not exceed the max water level.
2. Put the mop plate on the axis of spinning basket and push down until hear Click sound.
3. Pull up the mop stick with the spinning basket then put it down to the bottom of bucket.
4. Push the handle swivel to wash the mop head.

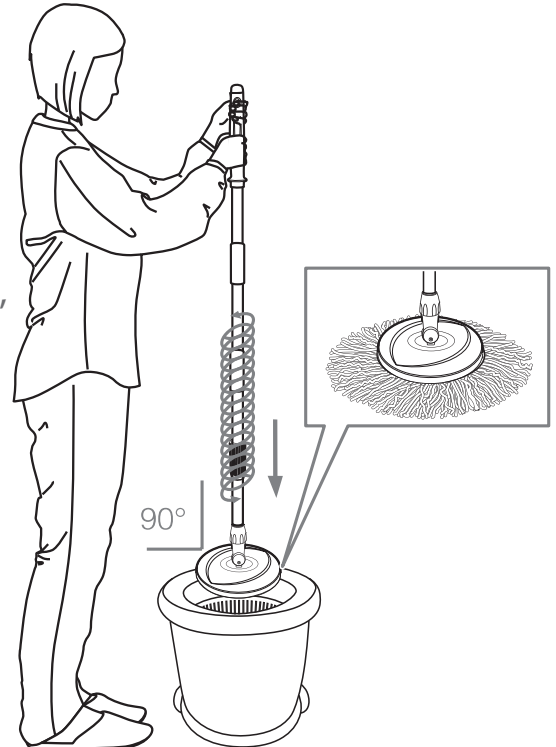


### WARNING:

DON'T PUT TOO MUCH WATER, OTHERWISE YOU WILL FEEL SO HARD TO PUSH THE HANDLE.

## THE WAY TO WASH THE MOP HEAD

1. Put the mop plate on the axis of spinning basket and push down until hear Click sound.
2. Pull up the mop sticker with the spinning basket to the upper position of the bucket.
3. Put straight the mop stick then push the handle swivel for drying.
4. When finish drying, while the mop is still spinning, slightly incline the mop head and remove it fast from the basket.



### WARNING:

BEFORE SPINNING, PLEASE MAKE SURE PUT ALL REFINGES INSIDE OF THE BUCKET TO AVOID FROM DIRTY YOUR PANTS.