

2 in 1 Cordless Vacuum Cleaner

User's manual

EN



SENCOR®

SVC 7612VT
SVC 7614TQ

Prior to using this appliance, please read the user's manual thoroughly, even in cases where you have previously familiarised yourself with the operation of similar types of appliances. Only use the appliance in the manner described in this user's manual. Keep this user's manual in a safe place where it can be easily retrieved for future use.

We recommend saving the original cardboard box, packaging material, purchase receipt and responsibility statement of the vendor or warranty card for at least the duration of the legal liability for unsatisfactory performance or quality. In the event of transportation, we recommend that you pack the appliance in the original box from the manufacturer.

EN-1

2 in 1 Cordless Vacuum Cleaner

SVC 7612VT / SVC 7614TQ

TABLE OF CONTENTS

| | |
|---|----|
| IMPORTANT SAFETY INSTRUCTIONS | 3 |
| DESCRIPTION OF THE VACUUM CLEANER AND ITS ACCESSORIES | 5 |
| ASSEMBLING AND DISASSEMBLING THE VACUUM CLEANER AND THE CHARGING BASE | 6 |
| PARKING POSITION OF THE VACUUM CLEANER | 8 |
| CHARGING THE VACUUM CLEANER | 8 |
| USING YOUR VACUUM CLEANER | 9 |
| MAINTENANCE AND CLEANING | 10 |
| TECHNICAL SPECIFICATIONS | 11 |
| INSTRUCTIONS AND INFORMATION REGARDING THE DISPOSAL OF USED PACKAGING MATERIALS . | 12 |
| DISPOSAL OF BATTERIES | 12 |
| DISPOSAL OF USED ELECTRICAL AND ELECTRONIC EQUIPMENT | 12 |

2 in 1 Cordless Vacuum Cleaner

SVC 7612VT / SVC 7614TQ

EN

IMPORTANT SAFETY INSTRUCTIONS

READ CAREFULLY AND STORE FOR FUTURE USE.

- This vacuum cleaner can be used by children aged from 8 years and above and persons with reduced physical, sensory or mental capabilities or lack of experience and knowledge if they have been given supervision or instruction concerning use of this vacuum cleaner in a safe way and understand the hazards involved. Children shall not play with the vacuum cleaner. Cleaning and user maintenance shall not be made by children without supervision. Keep the vacuum cleaner and its accessories out of the reach of children younger than 8 years of age.
- This vacuum cleaner is designed for use in households, offices and similar types of areas. Do not use it in rooms with high moisture levels, in industrial surroundings or outdoors.
- Do not expose the vacuum cleaner to direct sunlight and do not place it near an open fire or appliances that are a source of heat.
- Only use the vacuum cleaner with the original power adapter, charging base and accessories supplied.
- Before connecting the adapter to a power socket, check that the technical details on its rating label match the electrical voltage in the power socket.
- Do not let the adapter power cord touch hot surfaces or sharp objects. Position the adapter power cord so that it will not be tripped over.
- To prevent potential injury by electric shock, do not submerge the vacuum cleaner or its charging base or power adapter in water or any other liquid or rinse it under running water.
- Before turning on the vacuum cleaner, check that the coarse particle filter and the motor protection filter are properly installed in the dust container.
- When the vacuum cleaner is running, ensure that the air outlets and the suction opening are not blocked.

2 in 1 Cordless Vacuum Cleaner

SVC 7612VT / SVC 7614TQ

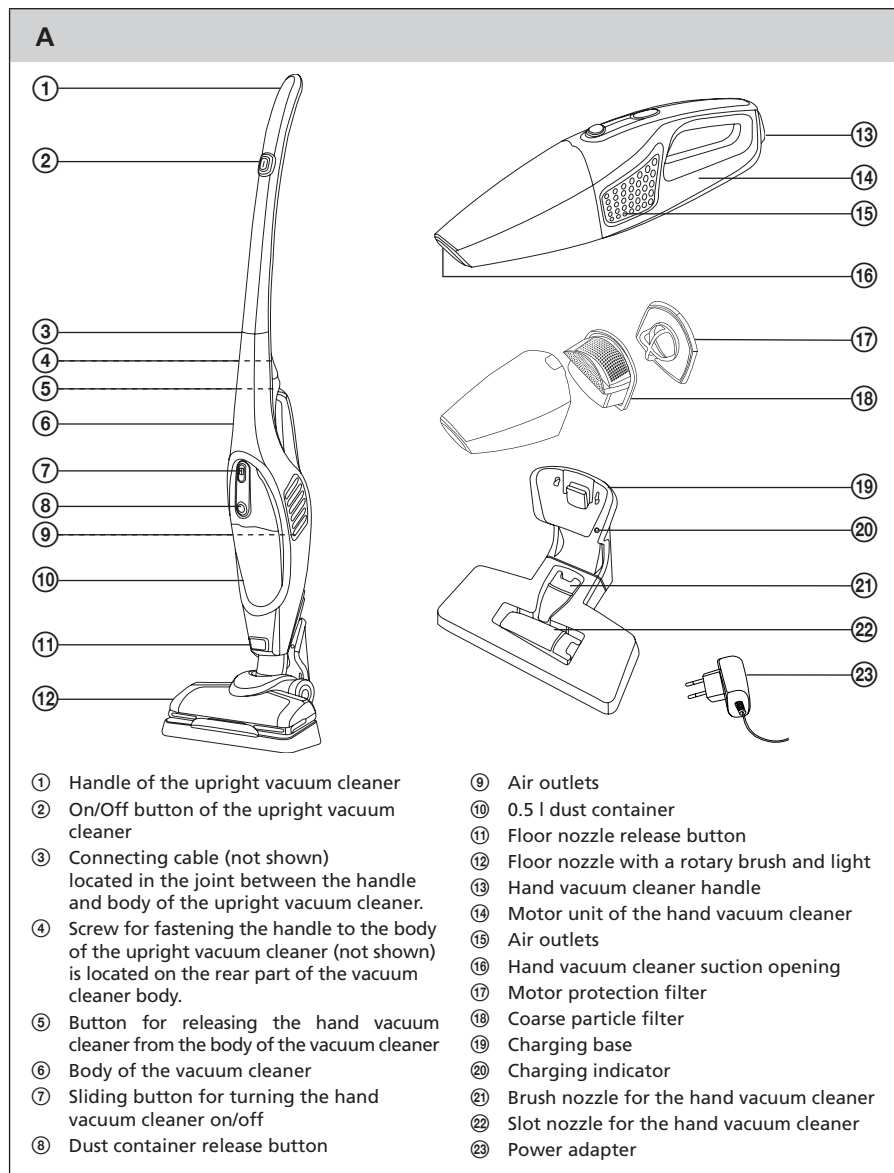
- Do not use the vacuum cleaner to vacuum the following items:
 - smouldering cigarettes, burning items, matches or embers;
 - water and other liquids;
 - flammable or volatile materials;
 - sharp items, e.g. broken glass, needles, pins, etc.;
 - flour, wall plaster, cement and other building materials;
 - larger pieces of paper or plastic bags, which can easily block the suction opening.
- Vacuuming of some types of floors or floor surfaces can create an electrostatic discharge, which presents no danger to the user.
- If the vacuum cleaner is running, do not leave it unattended.
- Always turn off the vacuum cleaner after use, before cleaning or seating it in the charging base.
- Disconnect the power adapter from the power socket before cleaning and after the vacuum cleaner has been fully charged.
- Do not disconnect the power adapter from the power socket by pulling on the power cord. This could damage the power cord or the power socket. Disconnect the power adapter from the power socket by pulling on the plug.
- It is forbidden to use a power adapter with a damaged plug or power cord. A damaged power adapter must be replaced with an original type. For a replacement power adapter, please contact an authorised service centre.
- Do not use the vacuum cleaner if it is not working correctly, if it has been damaged or has been submerged in water. To avoid the danger of injury by electric shock, do not repair the vacuum cleaner yourself or make any adjustments to it. Have all repairs performed at an authorised service centre. By tampering with the appliance, you risk voiding your legal rights arising from unsatisfactory performance or quality warranty.

2 in 1 Cordless Vacuum Cleaner

SVC 7612VT / SVC 7614TQ

EN

DESCRIPTION OF THE VACUUM CLEANER AND ITS ACCESSORIES



EN-5

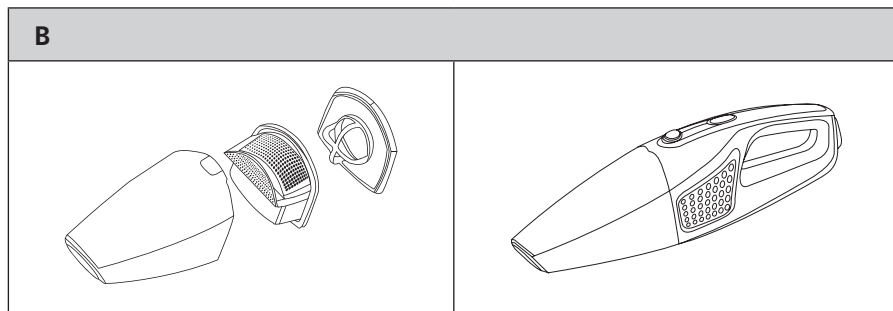
2 in 1 Cordless Vacuum Cleaner

SVC 7612VT / SVC 7614TQ

ASSEMBLING AND DISASSEMBLING THE VACUUM CLEANER AND THE CHARGING BASE

1. Assembling and disassembling the hand vacuum cleaner

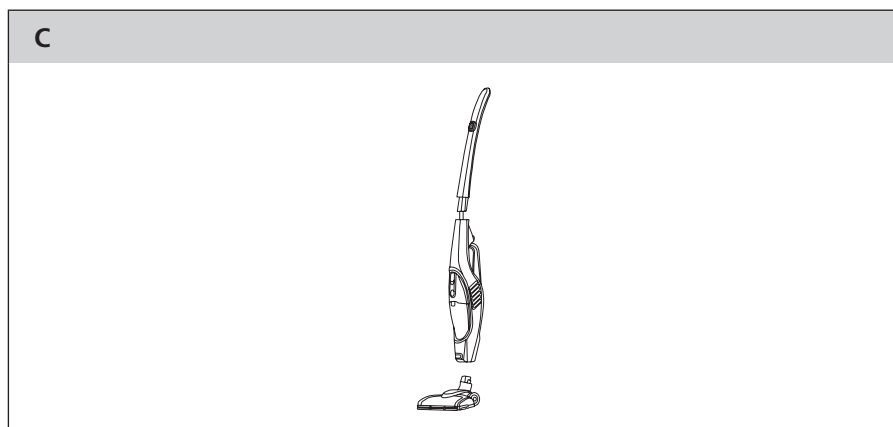
- Insert the filter A(18) and the motor protection filter A(17) into the dust collection container A(10). Attach container A(10) to the motor unit of the hand vacuum cleaner A(19).



- It is possible to connect a brush or slot nozzle A(21) or A(22), which is a part of the accessories, to the suction opening A(16).
- Disassemble the hand vacuum cleaner in reverse sequence. To remove the dust container A(10), it is necessary to first press button A(8) and then to remove the container A(10).

2. Assembling and disassembling the upright vacuum cleaner

- Connect the handle A(1) to the body of the upright vacuum cleaner A(6) so that the connecting cable A(3) is inside the connection. Secure the connection with the supplied screw A(4). Into the body of the upright vacuum cleaner A(6) insert the assembled hand vacuum cleaner (without the brush or slot nozzle A(21) or A(22)) from behind. Connect the floor nozzle A(12) to the bottom part of the body of the vacuum cleaner A(6).

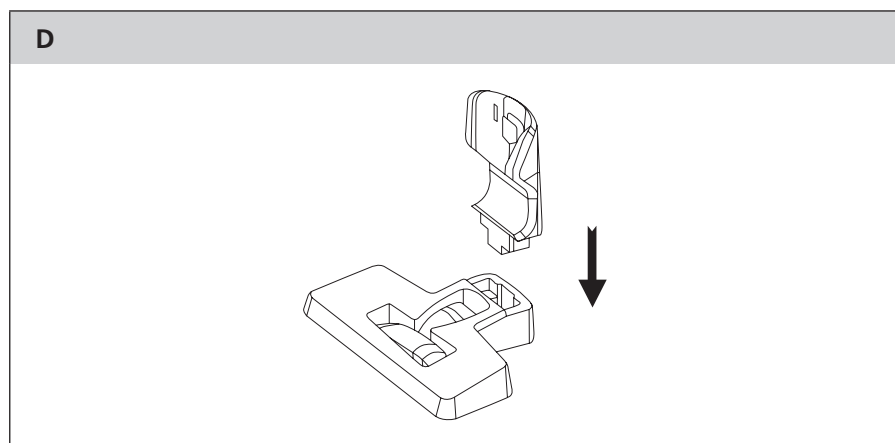


2 in 1 Cordless Vacuum Cleaner

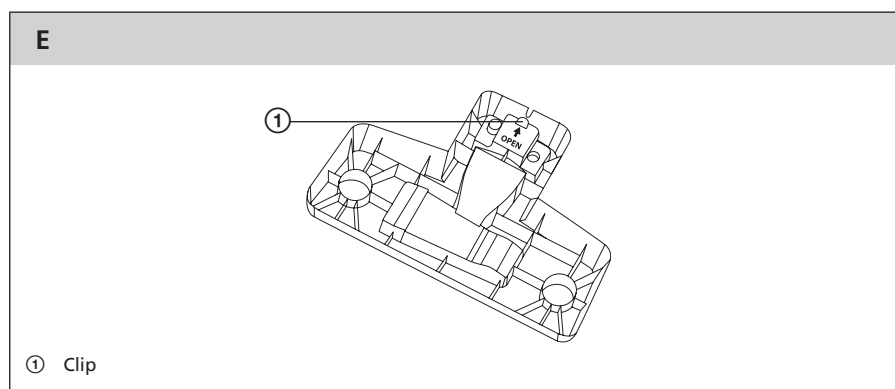
SVC 7612VT / SVC 7614TQ

EN

- Disassemble the upright vacuum cleaner in reverse sequence. To remove the floor nozzle A¹² it is first necessary to press button A¹¹ and to hold it pressed down. This will release the nozzle A¹² and only then will it be possible to take it off. To take the hand vacuum cleaner off the body of the upright vacuum cleaner A⁶, first press the button A⁵. Hold down the button A⁵ and take off the hand vacuum cleaner.
- 3. Assembling and disassembling the charging base**
- Assemble the charging base A¹⁹ by inserting the top part into the bottom part as shown in figure D. The connection of these two parts is signalled by an audible snap.



- When disassembling the charging base A¹⁹, it is necessary to first release the clip on the underside of the base A¹⁹. Slide the clip in the direction of the arrow shown on the underside of the base A¹⁹ and then take the top part of the base A¹⁹ off the bottom part.



2 in 1 Cordless Vacuum Cleaner

SVC 7612VT / SVC 7614TQ

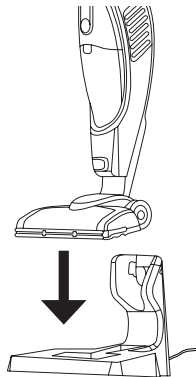
PARKING POSITION OF THE VACUUM CLEANER

- To put the upright vacuum cleaner into the parking position, place the tip of your foot on top of the floor nozzle A¹² and with a simple forward movement of the handle A¹ secure the vacuum cleaner in the vertical position. The tab located at the front on the elbow of the floor nozzle A¹² will fit into the groove on the top cover of the floor nozzle A¹².
- To release the upright vacuum cleaner from the parking position, place the tip of your foot on top of the floor nozzle A¹² and with a simple backwards movement of the handle A¹ release the vacuum cleaner from the vertical parking position. The tab located at the front on the elbow of the floor nozzle A¹² will slide out of the groove on the top cover of the floor nozzle A¹².

CHARGING THE VACUUM CLEANER

- This vacuum cleaner contains a built-in Ni-MH battery and therefore it is recommended to charge, use and store it at an ambient temperature of 15–30 °C (59–86 °F).
- Check that the vacuum cleaner is turned off. Place the assembled charging base A¹⁹ near a power socket. Insert the power adapter plug A²³ to the socket located on the underside of the charging base A¹⁹ and guide the power adapter cord A²³ through the groove out of the base A¹⁹. Insert the power adapter plug A²³ into an electrical power socket. After connecting to a power socket, the LED indicator A²⁰ will be lit green.
- Place the upright vacuum cleaner, that you have previously put in the parking position into the base A¹⁹. When the vacuum cleaner is placed into the base A¹⁹, the LED indicator A²⁰ will be lit red.

F



- The built-in battery needs approximately 6 hours to fully recharge. The actual charging time depends on the power level of the battery.



Note:

If you are charging the vacuum cleaner for the first time or if you have not used it for a long time (longer than 3 months) then a complete charge requires approximately 8 hours or more. Before first use or after not using it for a long time, always allow the battery to fully recharge. Do not disconnect the power adapter A²³ from the power socket too early.

2 in 1 Cordless Vacuum Cleaner

SVC 7612VT / SVC 7614TQ

EN

- When the battery is fully charged, the LED indicator A²⁰ will be lit green. Disconnect the power adapter A²⁰ from the power socket.
- A fully charged vacuum cleaner will run for approximately 15 to 20 minutes. Then the suction power will decline substantially and it is necessary recharge it again.

Recommendations for achieving the longest possible battery lifetime:

- To ensure optimal performance and extend the lifetime of the battery, we recommend that you always allow the battery to fully charge.
- Charge the vacuum cleaner at room temperature.
- If you do not use the vacuum cleaner for a long time, charge it at least once every 6 months.

USING YOUR VACUUM CLEANER

- You may use the vacuum cleaner as soon as the battery is fully recharged.
- 1. Using the upright vacuum cleaner**
 - Hold the vacuum cleaner by the handle A¹ and pulling it upwards, remove it from the charging base A¹⁹. After removing from the base A¹⁹, the vacuum cleaner should be secured in the vertical parking position. After it is released from the parking position, the handle may be moved in the vertical direction. Start the vacuum cleaner by pressing the button A². The power of the upright vacuum cleaner can be increased to maximum by sliding button A⁷ towards the dust collection container A¹⁰ to the On position.
 - You can use the vacuum cleaner to vacuum various types of floor coverings or thin carpets. The movement of the nozzle A¹² along the floor or carpet is made easier by wheels. The rotating elbow on the floor nozzle A¹² enables the cleaning of hard-to-reach places. The motorised rotary brush quickly and easily removes hair and animal fur. The LED light comes in handy particularly when vacuuming darker nooks and corners.
 - Turn off the vacuum cleaner after use by pressing button A² and clean it according to the instructions contained in the chapter Maintenance and cleaning. Before using it again, allow it to recharge according to the instructions contained in the chapter Charging the vacuum cleaner.



Note:

If the button A⁷ is in the On position, it is necessary to slide it towards the handle A¹⁹ to the Off position and only then can the upright vacuum cleaner be turned off with the button A².

- 2. Using the hand vacuum cleaner**

- Turn on the hand vacuum cleaner by sliding button A⁷ forward towards the dust collection container A¹⁰. The hand vacuum cleaner can be used for vacuuming furniture etc. Vacuuming hard to reach places is made easier by the slot nozzle attachment A²² and the brush nozzle attachment A²¹ can be used for vacuuming upholstered furniture.
- Turn off the vacuum cleaner after use by sliding button A⁷ towards the handle A¹⁹ and clean it according to the instructions contained in the chapter Maintenance and cleaning. Before using it again, allow it to recharge according to the instructions contained in the chapter Charging the vacuum cleaner.

2 in 1 Cordless Vacuum Cleaner

SVC 7612VT / SVC 7614TQ

MAINTENANCE AND CLEANING

- Before cleaning it, always check that the vacuum cleaner is turned off and disconnected from the el. power source.

Cleaning the dust collection container

- Remove the dust collection container A¹⁰ from the hand vacuum cleaner. Take the motor protection filter A¹⁷ and the coarse particle filter A¹⁸ out of the container A¹⁰. Remove dust and dirt found above the basket from the container A¹⁰. Use a fine brush to clean the suction opening A¹⁶.
- Remove dust and dirt from filters A¹⁷ and A¹⁸. In the event of heavy soiling, both filters A¹⁷ and A¹⁸ may be washed under running water with the use of a neutral kitchen detergent. Allow filters A¹⁷ and A¹⁸ to dry freely and then assemble the vacuum cleaner according to the instructions contained in the chapter Assembling the vacuum cleaner. Before returning filters A¹⁷ and A¹⁸ to the collection container A¹⁰, make sure that they are completely dry.



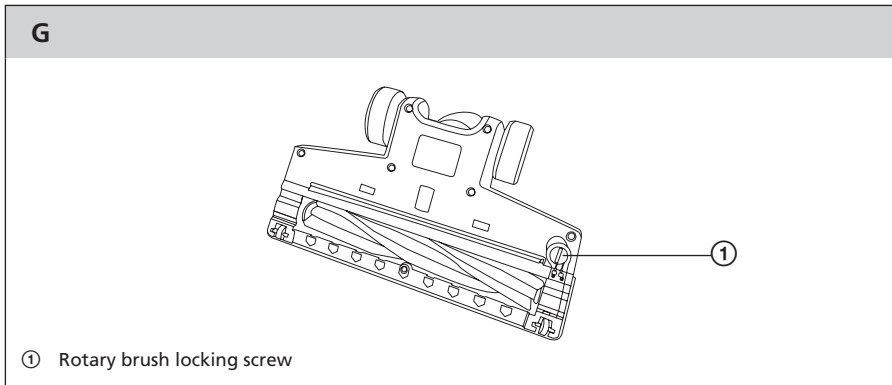
Attention:

To prevent damaging the vacuum cleaner, make sure that the filters A¹⁷ and A¹⁸ are properly installed in their place before starting the vacuum cleaner.

- In the event that the motor protection filter A¹⁷ shows signs of wear, replace it with a new one. To order it, please contact an authorised service centre.

Cleaning the floor nozzle and attachments

- Take the floor nozzle A¹² off the body of the vacuum cleaner A⁶. Turn it over so that the rotary brush is pointing upwards. On the right side of the nozzle A¹² the rotary brush is secured with a locking screw. This needs to be released using a flat screwdriver by turning it in the direction of the open padlock symbol.



- Take the locking screw and rotary brush out of the floor nozzle A¹². Remove all dirt and dust from the rotary brush and the internal space of the floor nozzle A¹². After cleaning, return the rotary brush and locking screw back in their place. Turn the locking screw in the direction of the closed padlock to fasten the rotary brush.
- For cleaning the surface of the floor nozzle A¹² and the attachments A²¹ and A²² use a dry or a lightly dampened cloth. Then wipe everything so that it is thoroughly dry.

2 in 1 Cordless Vacuum Cleaner

SVC 7612VT / SVC 7614TQ

EN

Cleaning the outer surface

- Clean the outer surface of the upright and hand vacuum cleaner using a dry or a lightly dampened cloth. Then wipe all these parts thoroughly dry. Pay special attention when cleaning the body A⑥ of the upright vacuum cleaner. In the part where the suction opening A⑨ is located, dust may accumulate, which needs to be removed regularly.
- Clean the base A⑩ using a dry or slightly dampened cloth, whilst ensuring that the socket for connecting the power adapter plug A⑫ does not come into contact with moisture. Then wipe everything so that it is thoroughly dry.
- Do not use steel wool, abrasive cleaning products, petrol or solvents to clean the vacuum cleaner. To prevent potential injury by electric shock, do not submerge the vacuum cleaner, its charging base A⑩ or power adapter A⑫ in water or any other liquid or rinse it under running water.

TECHNICAL SPECIFICATIONS

SVC 7612VT

Power adapter

| | |
|---------------------------------------|-----------------------------|
| Input | 100–240 V~, 50/60 Hz, 0.5 A |
| Output | 15 V=, 0.5 A |
| Electric shock protection class | II |

Vacuum cleaner

| | |
|---|--------------------------|
| Power input | 70 W |
| Battery | Ni-MH / 12 V= / 1800 mAh |
| Time required for charging to full capacity | approximately 6 h |
| Operating time when fully charged | approximately 15–20 min |
| Noise level | 75 dB(A) |
| Dust container capacity | 0.5 l |

SVC 7614TQ

Power adapter

| | |
|---------------------------------------|-----------------------------|
| Input | 100–240 V~, 50/60 Hz, 0.5 A |
| Output | 18 V=, 0.5 A |
| Electric shock protection class | II |

Vacuum cleaner

| | |
|---|----------------------------|
| Power input | 80 W |
| Battery | Ni-MH / 14.4 V= / 2200 mAh |
| Time required for charging to full capacity | approximately 6 h |
| Operating time when fully charged | approximately 15–20 min |
| Noise level | 76 dB(A) |
| Dust container capacity | 0.5 l |

The declared noise emission level of the SVC 7612VT / SVC 7614TQ vacuum cleaner is 75/76 dB(A), which represents level A of acoustic power with respect to a reference acoustic power of 1 pW.

Explanation of technical terminology

Safety class for electric shock protection:

Class II – Electric shock protection is provided by double or heavy-duty insulation.

We reserve the right to change text and technical specifications.

2 in 1 Cordless Vacuum Cleaner

SVC 7612VT / SVC 7614TQ

INSTRUCTIONS AND INFORMATION REGARDING THE DISPOSAL OF USED PACKAGING MATERIALS

Dispose of used packaging material at a site designated for waste in your municipality.

DISPOSAL OF BATTERIES



Prior to disposing of the product or handing it over at a specialised collection facility, it is necessary to ensure that the built-in battery has been removed. Before removing the battery, it is necessary to start the vacuum cleaner and wait until it is completely flat. Battery removal will be performed at the authorised service centre.

Batteries contain environmentally damaging compounds and therefore do not belong in standard household waste. Their correct disposal will be performed by the respective collection facility.

DISPOSAL OF USED ELECTRICAL AND ELECTRONIC EQUIPMENT



This symbol on products or original documents means that used electric or electronic products must not be added to ordinary municipal waste. For proper disposal, renewal and recycling hand over these appliances to determined collection points. Alternatively, in some European Union states or other European countries you may return your appliances to the local retailer when buying an equivalent new appliance.

Correct disposal of this product helps save valuable natural resources and prevents potential negative effects on the environment and human health, which could result from improper waste disposal. Ask your local authorities or collection facility for more details. In accordance with national regulations penalties may be imposed for the incorrect disposal of this type of waste.

For business entities in European Union states

If you want to dispose of electric or electronic appliances, ask your retailer or supplier for the necessary information.

Disposal in other countries outside the European Union.

This symbol is valid in the European Union. If you wish to dispose of this product, request the necessary information about the correct disposal method from the local council or from your retailer.



This appliance meets all the basic requirements of EU directives related to it.