

# Water kettle with adjustable temperature

User guide

EN



**SENCOR®**

SWK 1280SS

Before using this appliance, please familiarize yourself with its user guide, even if you are already familiar with using similar appliances. Use the appliance only as described in the user guide. Keep the guide for later use.

At least for the duration of the legal claim period or warranty period, we recommend storing the original transport carton, packing material, sales receipt and confirmation of seller's responsibility or the warranty certificate. In the event of transport, we recommend packing the appliance back into the manufacturer's original box.

EN-1

## CONTENTS

IMPORTANT SAFETY INSTRUCTIONS .....	3
DESCRIPTION OF WATER KETTLE.....	6
PURPOSE OF WATER KETTLE .....	7
TYPES OF TEA .....	7
DOSING AND STORING TEA.....	7
TIPS ON MAKING TEA .....	8
BEFORE FIRST USE .....	8
USING THE WATER KETTLE .....	9
CLEANING AND MAINTENANCE.....	13
TECHNICAL DATA .....	14
INSTRUCTIONS AND INFORMATION ON DISPOSING OF USED PACKAGING .....	14
DISPOSAL OF USED ELECTRICAL AND ELECTRONIC EQUIPMENT.....	14

## IMPORTANT SAFETY INSTRUCTIONS

### READ CAREFULLY AND SAVE FOR FUTURE USE.

- This appliance can be used by children 8 years old and over and people with reduced physical, sensory or mental capacities or who lack knowledge and experience, as long as they are supervised or have been taught to use the appliance in a safe manner and understand the possible hazards. Cleaning and maintenance to be performed by the user must not be performed by children unless they are over 8 years old and under supervision. Keep the appliance and its power cable out of the reach of children younger than 8. Children shall not play with the appliance.
- Before plugging the water kettle in, make sure that the voltage on its model plate matches the voltage on the electrical socket.
- Connect the kettle to a properly grounded socket.
- The water kettle is intended for use in homes and similar places, such as:
  - kitchen nooks for personnel in stores, offices and other workplaces;
  - hotel or motel rooms and other accommodation;
  - bed-and-breakfast establishments.
- Do not place the water kettle on windowsills, dish drainers or unstable surfaces. Always place it on a stable, even, dry surface.
- Never use the water kettle near a bathtub, shower or swimming pool.
- Do not wash the water kettle or its stand under running water, and do not submerge it or its stand into water or any other liquid.
- Use the water kettle only with the stand that is delivered with it. Do not use the stand delivered with this water kettle for any other type of water kettle.
- Use the water kettle only for boiling drinking water and brewing teas and other herbs. Do not use it to boil or heat other liquids or foods. Do not sprinkle sugar or any similar ingredient into the water kettle or tea strainer.

# Water kettle with adjustable temperature

SWK 1280SS

- Do not fill the water kettle while it is on the stand. Always remove it from the stand before filling.
- When filling the water kettle, make sure that the water level at least covers the minimum mark and does not exceed the maximum mark.
- If the water kettle is overfilled, boiling water may splash out.
- The kettle has a fuse that protects it from damage if it is turned on while empty.
- Before turning the water kettle on, make sure that the internal and external covers are properly closed.



**Warning: Hot surface.**



**Warning:**

Do not open or handle the internal or external lid while the water is boiling.

- Do not touch the hot surface of the water kettle or tea strainer. This could burn the skin. Use the handle to lift and carry the water kettle. Use the handle of the tea strainer to carry it.
- When pouring water from the kettle, take care not to be scalded by boiling water or steam.
- Always unplug the water kettle if you will not be using it, or before you move or clean it. Before unplugging the kettle, make sure it is shut off.
- Do not place the water kettle on or near an electric or gas stove. Do not place it near an open flame or equipment that gives off heat.
- Make sure that the power cable does not come into contact with water or moisture.
- Do not place heavy objects on the power cable. Make sure that the power cable does not hang over the edge of a table or touch a hot surface.
- Do not unplug the water kettle by pulling on the power cable. This may damage the power cable or socket. Unplug the cable by pulling the electrical plug.

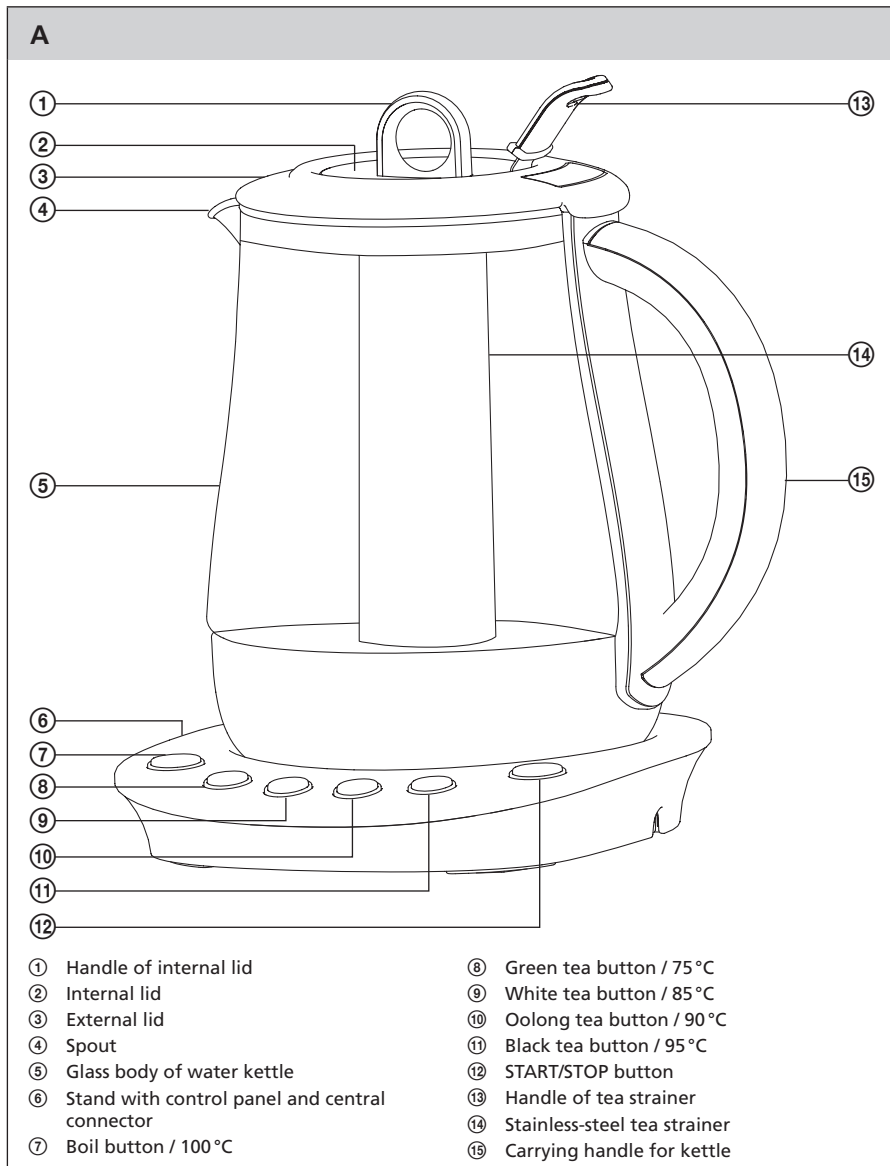
# Water kettle with adjustable temperature

SWK 1280SS

EN

- If the power cable is damaged, have it replaced by a qualified service facility. It is forbidden to use the water kettle with a damaged power cable or plug.
- To prevent injury by electrical current, do not repair the water kettle yourself or modify it in any way. All repairs must be done by an authorized service facility. Tampering with the appliance may void the warranty.

## DESCRIPTION OF WATER KETTLE



# Water kettle with adjustable temperature

SWK 1280SS

EN

## PURPOSE OF WATER KETTLE

- This kettle not only boils water, but also makes tea preparation easier thanks to its adjustable temperature. Just choose the optimal temperature for the selected type of tea, and let the water heat up. After heating the water, put tea in the tea strainer, put the tea strainer in the kettle, and start brewing mode. Then just wait for the acoustic signal that tells you brewing time is finished and time to take the strainer with the steeped tea out of the kettle. The automatic “Keep Warm” function keeps the tea hot for 30 minutes.

## TYPES OF TEA

- Tea is made by processing the leaves of the tea plant. Depending on the processing method, there are four basic types of tea — white, green, oolong and black.

Types of tea	Processing method and characteristic flavor
White tea	White tea is the rarest and mildest tea. It contains young leaves and buds. The leaves are left to oxidize mildly on their own, and then they are dried. This type of tea has less caffeine and tastes slightly sweet.
Green tea	The tea leaves undergo minimal oxidation and are then dried before they darken. Green tea has a distinctive aroma and a slightly bitter taste.
Oolong tea	The leaves are picked at their moment of full ripeness. The leaves undergo oxidation, which is interrupted in certain phases. These leaves are brown with a slight green tinge. This tea has a pleasant touch of fruit flavor.
Black tea	Black tea is the world's most common variety. The harvested leaves are mechanically broken and undergo full oxidation. During the oxidation process, the leaves darken to a brown to black shade. Of all the teas mentioned above, black tea has the strongest taste.

- In addition to tea made only from tea leaves, there are other types of tea and tea blends, such as fruit tea, herb tea, etc. You can use this kettle to prepare any kind of tea — just select the right temperature.

## DOSING AND STORING TEA

- When measuring out tea, follow the producer's instructions.
- Tea is very prone to taking on various aromas and odors. For tea to retain its flavor and aroma, it should not be exposed to moisture or light. Tea should be kept in moisture-proof containers in a dark, dry place. We do not recommend consuming tea after its expiration date, because then it loses its flavor and aroma.

## TIPS ON MAKING TEA

- The water quality influences tea's final taste. For better-quality tea, use filtered water.
- Crushed tea leaves steep faster than whole leaves. To achieve optimal flavor, it may sometimes be necessary to shorten the brewing time. Steeping for too long may release more tannin, which may make the drink more bitter.

## BEFORE FIRST USE

1. Take the water kettle and all accessories out of the packaging.
2. Grasp the internal lid A② by the handle A① and turn it anticlockwise until the arrow symbol on the internal lid A② is even with the open lock symbol shown on the outer lid A③. Take off the lid A② and set it aside. Remove the tea strainer A④ from the kettle and then remove the outer lid A③. Wash out the internal lid A②, external lid A③ and tea strainer A④ under hot running water with neutral kitchen detergent added. Then thoroughly rinse out these parts under clean, hot running water and towel dry.
3. Fill the water kettle with clean tap water to the maximum mark (1.2 l). Make sure that the water level does not exceed the maximum mark.



### Warning:

Do not fill the kettle with water when it is on the stand A⑥.

4. Put the external lid A③ onto the water kettle, and press it down, so that it settles over the entire circumference to the kettle's neck. Into the center of the cover lid A③ insert the internal lid A② so that the arrow symbol on the internal lid A② is even with the open lock symbol on the outer lid A③. Grasp the internal lid A② by the handle A① and turn it clockwise until the arrow symbol on the internal lid is even with the closed lock symbol. Now the kettle is properly closed.



### Note:

When preparing the kettle for first use, it is not necessary to insert the tea strainer A④.

5. From the bottom of the stand A⑥, unwind the necessary length of power cable. Pull the power cable through one of the three slots in the base. Put the stand A⑥ on an even, dry, stable surface and plug the power cable in.
6. Put the water kettle, which you have previously filled with water, onto the stand A⑥. Press the Boil A⑦ button. The light-up control buttons Boil A⑦ and START/STOP A⑩ glow white. To start the boiling process, press the START/STOP A⑩ button. The control light of the START/STOP button A⑩ glows red, and the water starts to heat. As soon as the water boils, 5 beeps sound. Once the water boils, the kettle automatically switches to "Keep Warm" mode. To end this mode, press and hold the START/STOP A⑩ for about 2 seconds. Then a long beep sounds to confirm that "Keep Warm" mode has ended. The control light of the START/STOP button A⑩ lights up red. Remove the kettle from the stand A⑥. Empty it and leave boil clean tap water 2 or 3 more times to remove any odors and impurities from the manufacturing process. Before filling with water again, let the kettle cool for a few minutes. Do not fill the hot kettle with water that is too cold, since this may crack the glass surface. To remove the lid, use the handle A①.



### Note:

If the internal lid A② is set to locked position, pull the handle A① to remove the external lid A② and A③ at the same time.

7. Now the water kettle is ready to use.



## USING THE WATER KETTLE

### 1. Using the water kettle to prepare tea

- 1.1 From the bottom of the stand A⑥, unwind the necessary length of power cable. Pull the power cable through one of the three slots in the base. Put the stand A⑥ on an even, dry, stable surface.
- 1.2 If the water kettle is on the stand A⑥, remove it. Grasp the handle A① and remove the lid from the kettle.



#### Note:

If the internal lid A② is set to locked position, pull the handle A① to remove the external lid A② and A③ at the same time.

Fill the kettle with the desired amount of water. The water level must at least reach the minimum mark (0.5 l) and must not exceed the maximum mark (1.2 l).



#### Warning:

Fill the kettle only with potable water.

Never fill the kettle when it is placed on the stand A⑥.

If the water kettle is overfilled, boiling water may splash out.

- 1.3 Firmly close the kettle with the lid. The outer lid A③ must attach all the way around the neck of the kettle. The internal lid A② must be set to locked position, i.e. the arrow on the internal lid A② must be even with the closed lock icon on the external lid A③.
- 1.4 Put the kettle on the stand A⑥ and plug the power cable in. After the stand A⑥ is plugged in, an acoustic signal (three beeps) will sound, and the lights on all control buttons will briefly glow white. Then the control panel switches to "Ready", which means you can use the kettle.



#### Note:

If the stand A⑥ is plugged in first, the white START/STOP A⑫ and Green Tea A⑧ control lights go on.

When the stand A⑥ is plugged in again, the white START/STOP A⑫ button lights up, as does the temperature setting button that was last used before unplugging the stand A⑥.

- 1.5 Press the appropriate button, A⑧, A⑨, A⑩ or A⑪, to choose the optimal temperature for preparing the elected type of tea. The relevant button lights up white when it is pressed. The START/STOP A⑫ button also glows white. To start the water heating to the set temperature, press the START/STOP A⑫ button. The control light of the START/STOP button A⑫ glows red.
- 1.6 As soon as the water gets to the desired temperature, 5 beeps sound to indicate the temperature has been reached.



#### Note:

If you remove the water kettle from the stand A⑥ while it is heating water, heating automatically stops and the panel automatically switches to "Ready".

### 1.7 "Keep Temperature" mode

After the water has been heated, the kettle automatically switches to "Keep Temperature" mode. In this mode, the kettle maintains the set water temperature for no more than 10 minutes. The button for setting water temperature blinks white, and the START/STOP A⑫ button still glows red. During this time, it is necessary to prepare the tea for brewing and switch the kettle to brewing mode.

Grasp the handle A① on the internal lid A② and turn the lid A② counter-clockwise, so that the arrow shown on the internal lid A② is even with the open lock symbol on the outside of lid A③. Carefully remove the lid A②. Be sure not to get scalded by the steam that can escape from the slot in the lid A③. Prepare the tea strainer A⑭ and put the proper amount of tea into it. Grasp the tea strainer A⑭ by the handle A③, and insert it into the slot in the external lid A③. The edge of the strainer A⑭ must click into the slot all around the external lid A③. The handle of the strainer A⑭ must be placed above the handle A⑤, which is used for carrying the kettle. Close the slot in the external lid A③ using the internal lid A②.

# Water kettle with adjustable temperature

SWK 1280SS



## Note:

If the water kettle is removed from the stand A⑥ during “Keep Temperature” mode, the mode automatically ends, and the control panel switches to “Ready” mode.

Two minutes after “Keep Temperature” mode automatically starts, 5 beeps sound to remind you that the kettle has not yet been switched to brewing mode.

If you have not launched brewing mode 10 minutes after “Keep Temperature” mode automatically launches, switch to “Standby” mode. To save energy, all the button lights go off. From “Standby” mode, switch the kettle into “Ready” mode by pressing any button, removing the kettle from the stand A⑥ or unplugging the stand A⑥ and then plugging it back in.

## 1.8 Tea brewing mode

Press the same button (blinking button) that you previously used to set the temperature, to switch the kettle to brewing mode. The brewing times for each temperature setting button are preset as follows.

Temperature setting button	Brewing time
Green tea / 75 °C	3 min
White tea / 85 °C	4 min
Oolong tea / 90 °C	5 min
Black tea / 95 °C	6 min

After the appropriate button is pressed, one long beep sounds. The button stops flashing, and it starts to glow white. The START/STOP button A⑩ still glows red. The kettle automatically counts the time left before the brewing process ends. The end of brewing mode is signaled by 5 short beeps and one long beep. Open the internal lid A②. Carefully remove the tea strainer A⑭ with the brewed tea, and then close the lid A② again.



## Note:

Thirty seconds after brewing mode ends, another acoustic signal sounds to remind you that it is necessary to remove the strainer A⑭ with the used tea.

Brewing mode can be ended prematurely by pressing and holding the temperature setting button, which lights for about 2 seconds. The end of brewing mode is signaled by 5 short beeps and one long beep. After that, the kettle automatically switches to “Keep Warm” mode.

If the water kettle is removed from the stand A⑥ during brewing mode, the mode automatically ends, and the control panel switches to “Read” mode.

## 1.9 “Keep Warm” mode

After brewing mode is over, the kettle automatically switches to “Keep Warm” mode to maintain the tea’s temperature for 30 minutes. In this mode, the temperature setting button slowly blinks, and the START/STOP A⑩ button glows red. The manufacturer sets the maintenance temperatures for each temperature setting preset button as follows.

Temperature setting button	Maintenance temperature
Green tea / 75 °C	65 °C
White tea / 85 °C	70 °C
Oolong tea / 90 °C	80 °C
Black tea / 95 °C	80 °C

“Keep Warm” mode automatically ends after 30 minutes. The end of the mode is signaled by 5 short beeps and 1 long one. After that, the kettle automatically switches to “Standby” mode. To save energy, all the button lights go off.

If you remove the kettle from the stand A⑥ during “Keep Warm” mode, this will interrupt the mode that keeps the tea hot, but the timer will still count off the time left until “Keep Warm” mode ends without regard to whether the kettle is on or off the stand A⑥. If the kettle is returned to the stand A⑥ while counting the time left in “Keep Warm” mode, the user can decide whether to have the kettle continue maintaining the temperature or not. The appropriate temperature setting button slowly, continuously blinks, and the START/STOP A⑫ button glows white. Pressing the appropriate temperature setting button, which is slowly blinking, confirms that you want to continue maintaining the temperature. The START/STOP button A⑫ glows red. The temperature sensor detects a drop in water temperature and the need to reheat it. If the kettle starts to heat the water immediately after reaching the maintenance temperature again, 3 beeps sound. If you do not press the appropriate button, the kettle will not continue to maintain the temperature. Only the timer will remain active for counting the time left until “Keep Warm” mode ends.

You can end “Keep Warm” mode at any time by pressing the START/STOP A⑫ button for about 2 seconds. Cancellation of “Keep Warm” mode is confirmed with a long beep. The kettle automatically switches to “Ready” mode, and the START/STOP button A⑫ lights up white.

1.10 Pour the brewed tea into a cup or mug. When carrying the kettle, make sure it is in upright position, especially if it is filled to the maximum mark.

## 2. Using the kettle to boil water

2.1 Proceed in the same way as indicated in points 1.1 to 1.4 of the previous section.

2.2 Press the Boil A⑦ button. After the button A⑦ is pressed, it lights up white. The START/STOP A⑫ button also glows white. To boil water, press the START/STOP A⑫ button. The START/STOP button A⑫ glows red.

2.3 As soon as the water boils, 5 beeps sound.



### Note:

If you remove the water kettle from the stand while it is heating water, heating automatically stops and the panel automatically switches to “Ready”.

## 2.4 “Keep Warm” mode

After the process of boiling water ends, the kettle automatically switches to “Keep Warm” mode. The Boil A⑦ button will continue to blink slowly, and the START/STOP A⑫ button will continue to glow red. “Keep Warm” mode maintains the kettle at 90°C. “Keep Warm” mode automatically ends after 30 minutes. The end of the mode is signaled by 5 short beeps and 1 long one. After that, the kettle automatically switches to “Standby” mode. To save energy, all the button lights go off.

If you remove the kettle from the stand A⑥ during “Keep Warm” mode, this will interrupt the mode that keeps the water hot, but the timer will still count off the time left until the mode ends without regard to whether the kettle is on or off the stand A⑥. If the kettle is returned to the stand A⑥ while counting the time left in “Keep Warm” mode, the user can decide whether to have the kettle continue maintaining the temperature or not. The Boil A⑦ button continues to blink slowly, and the START/STOP A⑫ button glows white. Pressing the Boil A⑦ button, confirms that you want to continue maintaining the temperature. The START/STOP button A⑫ glows red. The temperature sensor detects a drop in water temperature and the need to reheat it. If the kettle starts to heat the water immediately after reaching the maintenance temperature again, 3 beeps sound. If you do not press the Boil A⑦ button, the kettle will not continue to maintain the temperature. Only the timer will remain active for counting the time left until “Keep Warm” mode ends.

You can stop “Keep Warm” mode at any time by pressing the START/STOP A⑫ button for about 2 seconds. Cancellation of “Keep Warm” mode is confirmed with a long beep. The kettle automatically switches to “Ready” mode, and the START/STOP button A⑫ lights up white.

2.5 Pour the boiled water into a cup or mug. When carrying the kettle, make sure it is in upright position, especially if it is filled to the maximum mark.

# Water kettle with adjustable temperature

SWK 1280SS

### 3. Ending the current mode

You can cancel the current mode at any time by pressing the START/STOP A<sup>Ⓜ</sup> button for about 2 seconds. It is confirmed with a long beep. Then the kettle automatically switches to "Ready" mode, and the START/STOP button A<sup>Ⓜ</sup> lights up white.

### 4. "Standby" mode

- 4.1 The kettle automatically switches to "Standby" mode if it has not been in operation for longer than 5 minutes, and if you have not pressed any control button during that time, or you do not remove the kettle from the stand A<sup>Ⓞ</sup> or put it back. In "Standby" mode, to save energy, no buttons are lit.
- 4.2 From "Standby" mode, switch the kettle into "Ready" mode by pressing any button, removing the kettle from the stand A<sup>Ⓞ</sup> or unplugging the stand A<sup>Ⓞ</sup> and then plugging it back in.

### 5. "Ready" mode

- 5.1 In "Ready" mode, the white START/STOP A<sup>Ⓜ</sup> button glows, as does the temperature setting last used.
- 5.2 If the stand A<sup>Ⓞ</sup> is plugged in first, the white START/STOP A<sup>Ⓜ</sup> and Green Tea A<sup>Ⓞ</sup> control lights go on.

### 6. Acoustic signal when set temperature exceeded

If the kettle contains hot water, and the user then selects a water heating mode for a temperature lower than the current temperature of the water in the kettle as detected by the temperature sensor, the water heating process automatically stops. Three long beeps sound, and the kettle automatically switches to "Ready" mode.

### 7. Overheat protection function

- 7.1 If you inadvertently turn the water kettle on without water, after a certain temperature is reached, the thermostat automatically breaks the electrical circuit. The kettle shuts off, and an 8-second beep sounds. The kettle can't be turned back on for several minutes, until the stainless-steel bottom cools.
- 7.2 Do not turn the water kettle on when it is empty. Improper use of the water kettle can shorten its service life.

### 8. Repeated use of the kettle

If you want to open the kettle's lid for repeated filling, first empty the entire contents, so that you will not be scalded by escaping steam. Before filling again, let the kettle cool for a few minutes. Do not fill the hot kettle with water that is too cold, since this may crack the glass surface.

### 9. End of use

- 9.1 When you are finished using the kettle, unplug the cable.
- 9.2 Completely empty the kettle. Allow the kettle to cool, and clean it according to the instructions in the Cleaning and Maintenance chapter.

**Note:**

This water kettle is not calibrated for scientific or commercial purposes. The set temperature may vary from the actual water temperature by  $\pm 5^{\circ}\text{C}$ .

## CLEANING AND MAINTENANCE

### 1. Cleaning

- Make sure the kettle is turned off and unplugged. Before cleaning, allow the kettle to cool completely.
- If you have used the kettle to prepare tea, clean it in the following manner after every use. From the tea strainer A④ remove the tea, and clean the strainer A④ under warm running water. Then let it dry on its own or dry it with a towel. Wipe the kettle's glass surface from inside with a moist cleaning sponge to remove any discoloration from tea, and then rinse the inside of the kettle with clean warm water. For cleaning, do not use kitchen detergent or other chemical substances, steel wool or abrasive cleaners that may damage the kettle's surface.
- Once a month, we recommend removing tannin residue left from brewing tea. Fill the kettle with 1 l of water, and put the juice and peel of one lemon into it. Boil water in the kettle and let the liquid stand overnight. Then empty the water kettle, and before using it again, boil clean water in it 4 or 5 times.
- If you have used the kettle to boil water, it is enough to empty the contents after each use.
- If necessary, you can wash the internal and external lids A② and A③ under running water with some neutral kitchen detergent. Then thoroughly rinse under clean running water and dry. You can rub the external surface of the kettle with a slightly moist rag and then wipe it dry. To clean the stand A⑥ and the interior surface of the kettle bottom, use a dry rag.
- For cleaning, never use abrasive cleaning agents, gasoline, solvents, etc. Do not submerge the kettle (except for the lid and tea strainer A④), the stand A⑥ or the power cable in water or wash these parts under running water.

### 2. Removing scale deposits

- Limescale deposited in the kettle may negatively affect its life, so regularly remove it, based on how often the water kettle is used. With ordinary use (3 to 5 times a day), we recommend removing limescale:
  - Once a month in areas with hard or very hard water;
  - Once every two to three months in areas with soft or moderately hard water.
- Limescale can be removed with:
  - 8% white vinegar, commonly sold in stores. Fill the kettle with  $\frac{3}{4}$  l water and  $\frac{1}{4}$  l vinegar. Bring the solution to a boil, and let it stand in the kettle for 2 hours. Then empty the water kettle, and before using it again, boil clean water in it 4 or 5 times.
  - Citric acid. In the water kettle, boil 1 l of water, and add 30 g of citric acid and let the solution stand for about 30 minutes. Then empty the water kettle, and before using it again, boil clean water in it 4 or 5 times.

## TECHNICAL DATA

Rated voltage range .....	220–240 V
Rated frequency .....	50/60 Hz
Rated input .....	1200–1400 W
Capacity .....	1.2 l

We reserve the right to change text and technical specifications.

### INSTRUCTIONS AND INFORMATION ON DISPOSING OF USED PACKAGING

Dispose of used packaging at a designated waste disposal facility.

### DISPOSAL OF USED ELECTRICAL AND ELECTRONIC EQUIPMENT



This symbol on products or original documents indicates that used electrical and electronic equipment is not to be discarded with ordinary municipal waste. For proper disposal, recovery and recycling, take these products to designated collection points. Alternatively, in some countries of the European Union or other European countries, you can return your products to your local retailer when purchasing equivalent new products.

Correct disposal of this product helps save valuable natural resources and helps prevent potential negative effects on the environment and human health that would result from improper disposal. For more details, contact your municipal office or the nearest collection site.

Improper disposal of this type of waste may be subject to fines under national regulations.

#### For business entities in the European Union

To dispose of an electrical or electronic equipment, request the necessary information from your retailer or supplier.

#### Disposal in countries outside the European Union

This symbol is valid in the European Union. To dispose of this product, request the necessary information on the correct disposal method from your municipal office or retailer.



This product meets all the basic requirements of the EU directives that apply to it.