

Make-up Mirror

User's manual

EN



SENCOR®

SMM 2030SS

Before using the make-up mirror please read the user's manual thoroughly even if you are already informed about the use of similar types of products. Only use the make-up mirror as described in this user's manual. Keep this user's manual for future use.

EN-1

TABLE OF CONTENTS

| | |
|---|---|
| IMPORTANT SAFETY INSTRUCTIONS | 3 |
| DESCRIPTION OF THE MAKE-UP MIRROR | 5 |
| INSTALLING / REPLACING BATTERIES | 5 |
| BASIC FUNCTIONS OF THE MAKE-UP MIRROR | 6 |
| USING THE MAKE-UP MIRROR | 6 |
| INSTALLING AND REPLACING BATTERIES..... | 6 |
| MAINTENANCE AND CLEANING..... | 6 |
| STORAGE..... | 7 |
| DISPOSAL OF USED BATTERIES | 7 |
| TECHNICAL SPECIFICATIONS | 7 |
| INSTRUCTIONS AND INFORMATION REGARDING THE DISPOSAL OF USED PACKAGING MATERIALS | 8 |
| DISPOSAL OF USED ELECTRICAL AND ELECTRONIC EQUIPMENT..... | 8 |

IMPORTANT SAFETY INSTRUCTIONS

READ CAREFULLY AND STORE FOR FUTURE USE.

- Carefully unpack the product and take care not to throw away any part of the packaging before you find all the parts of the product.
- This make-up mirror must not be used by persons (including children) with physical or mental impairments or by inexperienced persons, unless properly trained or schooled in the safe use of the make-up mirror, or unless they have been properly supervised by a qualified person who will be responsible for their safety..
- Children must be supervised to ensure that they do not play with the mirror.
- Under no circumstances should you try to repair or amend the product on your own - danger of electric shock! Entrust all repairs and adjustments to a specialised company/service. Tampering with the product during the warranty period may void the warranty.
- Only store and use the product away from flammable or volatile materials and solutions.
- Keep the mirror away from extreme temperatures, direct sunlight and excessive humidity. Do not use in an overly dusty environment.
- Do not place the product near heaters, open fires or other equipment or devices that are sources of heat.
- Use the mirror only for the purposes for which it was designed.
- Attach the mirror to a firm, stable surface.
- Do not spray the mirror with water or any other liquid. Do not pour water or any other liquids into the mirror. Do not submerge the mirror in water or in any other liquid.
- Do not use rechargeable batteries in the mirror.
- If you will not be using the mirror for an extended period of time, remove the batteries. Otherwise they may leak inside the mirror and cause irreparable damage.

Make-up Mirror

SMM 2030SS

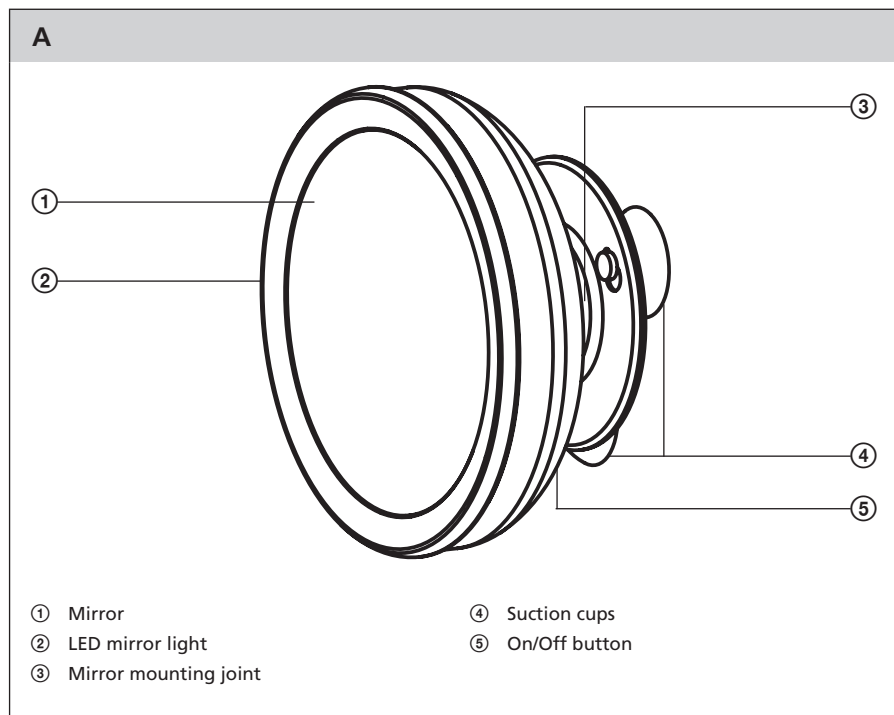
- The manufacturer takes no responsibility for damages caused by the incorrect use of this product and its accessories (injuries, burns, scalding, fire, food spoilage, etc.).

Make-up Mirror

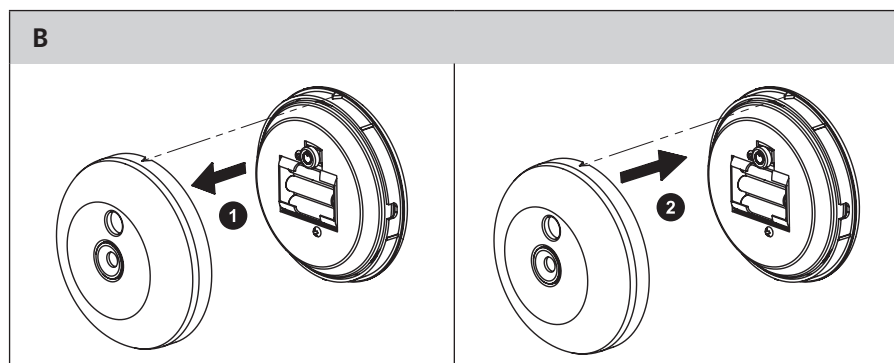
SMM 2030SS

EN

DESCRIPTION OF THE MAKE-UP MIRROR



INSTALLING / REPLACING BATTERIES



EN-5

BASIC FUNCTIONS OF THE MAKE-UP MIRROR

Possible uses

- the make-up mirror can be mounted on a mirror using suction cups (included)
- the make-up mirror can be mounted on a wall using screws (screw are not included)
- the make-up mirror can be held by hand or taken along in a handbag

Setting the mirror to the desired position

The mirror holder is designed to enable it to be tilted up, down and to the sides. At the same time, it is possible to simply take the mirror off the holder.

LED mirror light

The mirror light can be turned on using button A⑤. Button A⑤ is located on the rear side of the mirror unit.

To light the make-up mirror a LED light source was used. The LED light source is characterised by low power consumption and a long lifetime.

USING THE MAKE-UP MIRROR

- 1) Take the mirror out of the packaging material.
- 2) Prior to first turning on the mirror, it is necessary to insert the batteries (see paragraph INSTALLING / REPLACING BATTERIES).
- 3) Fit the included suction cups into the mirror holder. Lightly dampen the suction cups with water.
- 4) Mount the mirror holder on a smooth, clean and degreased surface.
- 5) Place the rear side of the mirror against the holder. The built-in magnet will ensure firm attachment of the mirror to the holder whilst allowing the mirror to be tilted in a significant range.
- 6) To turn on the mirror light, press button A⑤.
- 7) To turn off the mirror light, press button A⑤.

INSTALLING AND REPLACING BATTERIES

- 1) When the mirror is attached to the holder, hold down the holder with one hand and use the other hand to carefully take the mirror off.
- 2) Remove the rear metal cover on the mirror (see B①)
- 3) Insert three 1.5 V type-AAA batteries into the mirror. Make sure that the batteries are inserted according to the markings.
- 4) Close the mirror by putting on the rear metal cover (see figure B②). When closing the mirror unit, pay attention to the triangular mark on the frame of the mirror. The mark must fit into the cut-out in the metal cover.

MAINTENANCE AND CLEANING

Before cleaning, take the mirror off the holder and turn off the mirror light. To clean the mirror use a dry, soft cloth. In the case of heavy soiling, wipe the mirror with a damp cloth and then polish using a dry cloth.

The rear metal cover can be removed from the mirror (see figure B①) and cleaned separately.

Do not use chemical or abrasive cleaning agents. The surface could be damaged.

Make-up Mirror

SMM 2030SS

EN

STORAGE

Store the mirror away from direct sunlight. Reflected sunlight could cause a fire.

DISPOSAL OF USED BATTERIES

Do not dispose of old batteries with regular household waste. Dispose of batteries at designated battery disposal points.

TECHNICAL SPECIFICATIONS

Power source 3x 1.5 V batteries (type AAA)
Light source LED

We reserve the right to change text and technical specifications.

INSTRUCTIONS AND INFORMATION REGARDING THE DISPOSAL OF USED PACKAGING MATERIALS

Take the packaging material to a designated municipal waste facility.

DISPOSAL OF USED ELECTRICAL AND ELECTRONIC EQUIPMENT



This symbol on products or original documents means that used electric or electronic products must not be added to ordinary municipal waste. For proper disposal and recycling, take these products to designated collection points. Alternatively, in some European Union states or other European countries you may return your appliances to the local retailer when buying an equivalent new appliance.

Correct disposal of this product helps save valuable natural resources and prevents potential negative effects on the environment and human health, which could result from improper waste disposal. Ask your local authorities or collection facility for more details.

In accordance with national regulations penalties may be imposed for the incorrect disposal of this type of waste.

For business entities in European Union states

If you want to dispose of electric or electronic appliances, ask your vendor or supplier for the necessary information.

Disposal in other countries outside the European Union.

This symbol is valid in the European Union. If you wish to dispose of this product, request the necessary information about the correct disposal method from the local council or from your vendor



This appliance meets all the basic requirements of EU directives related to it.