

Coffeemaker

User's manual

EN



SENCOR®

SCE 3050SS
SCE 3051RD

Prior to using this appliance, please read the user's manual thoroughly, even in cases where you have previously familiarised yourself with the operation of similar types of appliances. Only use the appliance in the manner described in this user's manual. Keep this user's manual in a safe place where it can be easily retrieved for future use.

We recommend saving the original cardboard box, packaging material, purchase receipt and responsibility statement of the vendor or warranty card for at least the duration of the legal liability for unsatisfactory performance or quality. In the event of transportation, we recommend that you pack the appliance in the original box from the manufacturer.

EN-1

TABLE OF CONTENTS

IMPORTANT SAFETY INSTRUCTIONS	3
DESCRIPTION OF THE COFFEEMAKER	6
BEFORE FIRST USE	7
BASIC GUIDELINES FOR BREWING FINE TASTING COFFEE	7
SELECTING A COFFEE FILTER	7
OPERATING THE COFFEEMAKER	8
DRIP-STOP FUNCTION	8
CLEANING AND MAINTENANCE	9
TECHNICAL SPECIFICATIONS	9
INSTRUCTIONS AND INFORMATION REGARDING THE DISPOSAL OF USED PACKAGING MATERIALS .	10
DISPOSAL OF USED ELECTRICAL AND ELECTRONIC EQUIPMENT	10

IMPORTANT SAFETY INSTRUCTIONS

READ CAREFULLY AND STORE FOR FUTURE USE.

- This appliance may be used by children 8 years of age and older and by persons with physical or mental impairments or by inexperienced persons, if they are properly supervised or have been informed about how to use the product in a safe manner and understand the potential dangers. Children must not play with the appliance. Cleaning and maintenance must not be performed by children unless they are older than 8 years of age and under supervision. Keep this appliance and the power cord out of reach of children that are younger than 8 years of age.
- Before connecting the appliance to a power socket check that the technical specifications on the rating label match the electrical voltage in the socket.
- Connect the appliance only to a properly grounded socket.



Attention:

This appliance is not designed to be controlled using a programmed device, external timer switch or remote control.

- This appliance is designed for domestic use and similar locations such as:
 - staff kitchens in stores, offices and other workplaces;
 - hotel or motel rooms and other living areas;
 - bed and breakfast establishments.
- Only use the appliance to brew filtered coffee or tea.



Attention:

Improper use can lead to injury.

- Do not place the appliance on window sills or on unstable surfaces. The appliance must always be located on a stable, even and dry surface.

Coffeemaker

SCE 3050SS / SCE 3051RD

- Do not use the appliance in the near vicinity of a bath, shower or swimming pool.
- Only fill the water tank with cold drinking water. Do not fill it with any other liquid or place any objects inside it. When filling the water tank, the appliance must be turned off. During repeat use, do not fill the water tank before the appliance cools down.
- Only use the appliance with the glass kettle that came with it. Do not place the glass kettle on other sources of heat or use it for heating in a microwave oven.
- Do not use the appliance with a glass kettle that is cracked or has a loose or damaged handle. If the kettle shows any signs of damage, it must be replaced with a new one.
- Do not place any items on the hotplate and lid of the appliance.
- Before turning on the appliance, check that the water tank is filled with water and that the lid of the coffeemaker is properly closed.
- During operation, leave at least 20 cm of free space above the appliance.



Warning:

During the coffee brewing process, do not move the lid and do not touch the heated surface of the hotplate or glass kettle. This could cause burns. Use the handle for lifting and carrying.

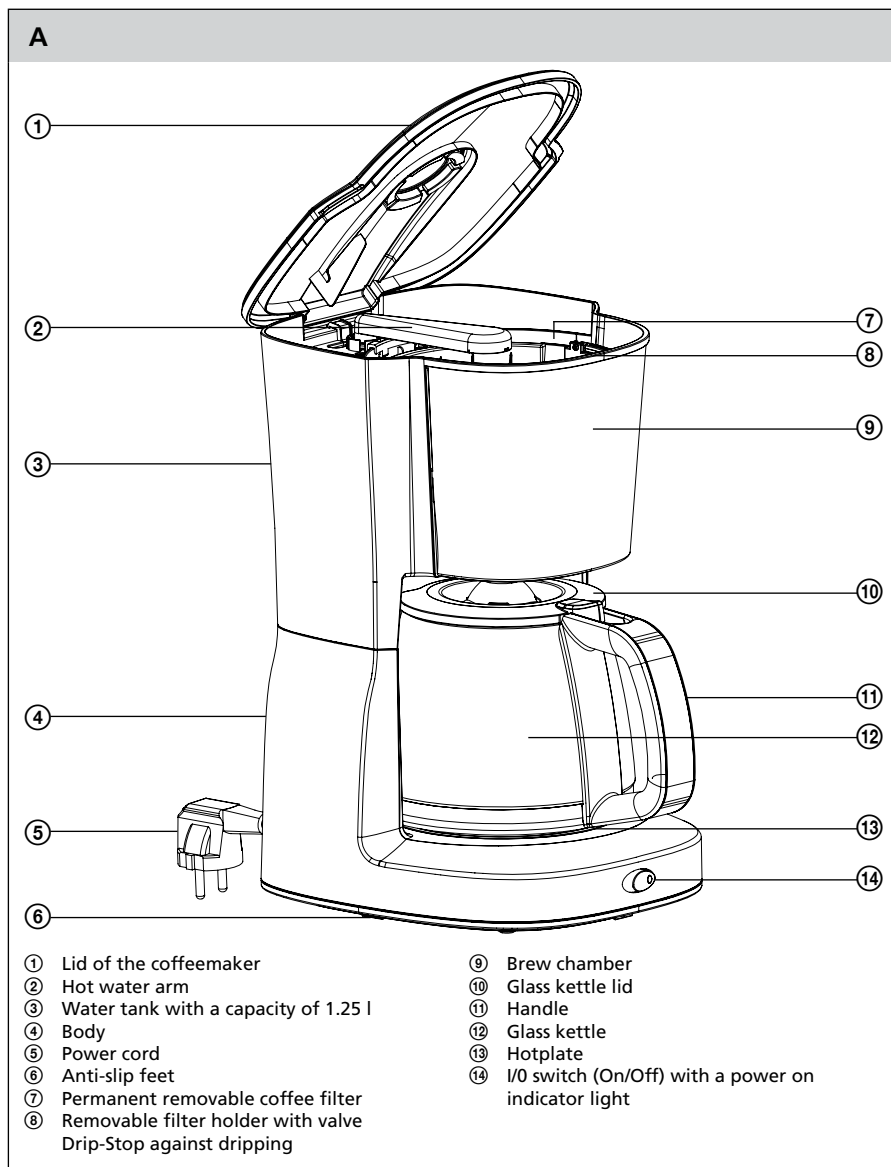
- Pay extra attention when handling the kettle filled with hot coffee to prevent scalding.
- Do not place a heated kettle on a wet or cold surface or submerge it in ice-cold water. Do not leave an empty kettle sitting on a heated hotplate. This could damage it.
- Allow the appliance to cool down for at least 10 minutes before using it again.
- Always turn off and disconnect the appliance from the power socket before moving or cleaning it.

- The surface of the coffeemaker and its hotplate remain hot for a certain time after it is turned off. Avoid contact with hot surfaces. Allow the appliance to fully cool down before moving or cleaning it. Do not move the appliance with the kettle placed on the hotplate.
- Do not clean the appliance (excluding the glass kettle, permanent filter and filter holder) under running water or submerge it under water.
- Do not place the appliance on or near an electric or gas stove or other sources of heat.
- To prevent the appliance from falling, locate the power cord so that it does not hang over the edge of a table.
- Ensure that the power cord does not come into contact with water or moisture or a heated surface.
- Do not disconnect the appliance from the power socket by pulling on the power cord. This could damage the power cord or the power socket. Disconnect the cord from the power socket by gently pulling the plug of the power cord.
- If the power cord is damaged, have it replaced at a professional service centre. It is forbidden to use the appliance if it has a damaged power cord or plug.
- To avoid the danger of injury by electrical shock, do not repair the appliance yourself or make any adjustments to it. Have all repairs or adjustments of the appliance performed at an authorised service centre. By tampering with the appliance, you risk voiding your legal rights arising from unsatisfactory performance or quality warranty.

Coffeemaker

SCE 3050SS / SCE 3051RD

DESCRIPTION OF THE COFFEEMAKER



BEFORE FIRST USE

1. Take the coffeemaker out of the packaging material.
2. Thoroughly wash the permanent filter A⑦, filter holder A⑧ and the glass kettle A⑫ in warm water using dishwashing detergent. Then rinse these parts under clean running water and dry them.
3. Place the filter holder A⑧ and the permanent filter A⑦ into the brew chamber A⑨.
4. Fill the water tank A③ with cold drinking water up to the maximum mark 10/MAX (1.25 l). Make sure that the filter holder A⑧ and filter A⑦ is properly placed in the brew chamber A⑨ and that the hot water arm A② points above the filter A⑦. Close the lid A① and place the glass kettle with lid A⑬ on the hotplate A⑭.
5. Connect the power cord A⑤ to a power socket and turn on the coffeemaker by setting the switch A⑬ to position I (On). The red light will be lit. Allow the contents of the water tank A③ to flow into the glass kettle A⑫. To turn off the coffeemaker, set the switch A⑬ to position 0 (Off). The red light will turn off. Empty the contents of the kettle A⑫ and allow the coffeemaker to cool down for at least 10 minutes.
6. Repeat the procedure described in steps 4 and 5.
7. Now the coffeemaker is ready for use.

BASIC GUIDELINES FOR BREWING FINE TASTING COFFEE

- Always brew coffee in a clean coffeemaker. A dirty coffeemaker can negatively impact the taste of the coffee beverage. Instructions for cleaning and removing limescale deposits are found in chapter Cleaning and maintenance.
- Always brew coffee using cold drinking water.
- Brew coffee using ground coffee intended for coffeemakers or from freshly ground coffee beans. Coffee brewed from freshly ground coffee beans will have a better taste and aroma. When grinding coffee, it is important to adhere to the instructions below.
- Grind the coffee beans to a fine texture but not too fine. If the ground coffee resembles fine flour when sifted between the fingers, then water will take too long to flow through the coffee and the resulting beverage will be too dark and bitter, or the coffee filter may become clogged and the brew chamber may overflow. If you grind the coffee beans too coarsely, it will be necessary to use a larger amount of coffee per cup to achieve optimal taste and aroma.
- Store ground coffee in an enclosed container, in dry and cool conditions. Do not place it in a refrigerator or freezer. Consume within a week of first opening it.
- Coffee tastes the best when freshly brewed and so reheating it is not recommended.

SELECTING A COFFEE FILTER

- This coffeemaker is supplied with a permanent filter A⑦ that can be used repeatedly. Or you can use disposable paper filters size no. 4, which can normally be purchased at brick-and-mortar stores or online. Fold the edge of the paper filter before placing it into the holder A⑧.

OPERATING THE COFFEEMAKER

1. Open the lid A① and fill the water tank A③ with the required amount of water. The water level must at least cover the mark showing two water cups and must not go over the maximum mark showing 10 water cups (i.e. 1.25 l).

**Attention:**

Only fill the water tank with cold drinking water. Do not use hot water.

The water tank has a maximum capacity of 1.25 litres of water.

The amount of brewed coffee will always be less than the amount of water you poured into the water tank A③. During the coffee brewing process, approximately 10 % of the water is absorbed by the ground coffee.

2. Place the permanent filter A⑦ or a disposable paper filter size no. 4 into the filter holder A⑧.
3. Pour ground coffee into the filter. Recommended dosage: 7 g of ground coffee per cup. Set the hot water arm A② so that it points above the filter.

**Note:**

If you wish to brew tea, pour the required amount of tea into the filter.

4. Shut the lid A① and make sure that it is properly closed.
5. Place the glass kettle with the lid A⑫ on to the hotplate A⑬ and start the coffeemaker by setting switch A⑭ to position I (On). The red indicator light will be lit.
6. Once the entire batch of coffee has finished brewing, wait approximately 1 minute for the drip process to complete fully. Now the coffee can be served.
7. If you wish to serve the coffee later, leave the kettle A⑫ on the hotplate A⑬. The hotplate A⑬ will keep the coffee at an optimal serving temperature. The coffeemaker will automatically turn itself off after 40 minutes of operation.
8. Once you empty the kettle, return it back on to the hotplate A⑬ and turn off the coffeemaker by setting switch A⑭ to position 0 (Off). The red indicator light will turn off.
9. Allow the coffeemaker to cool down for at least 10 minutes before using it again.

**Warning:**

If you do not allow the coffeemaker to cool down, the water could overheat and result in subsequent scalding by the escaping steam.

10. Before using the coffeemaker again, remove the coffee grounds and wash the permanent filter A⑦ or remove the paper filter together with the coffee grounds and dispose of it together with normal household waste. Rinse the filter holder A⑧ and the kettle A⑫ with clean water. Dry it and put it back in its place.
11. When not using the coffeemaker, turn it off and disconnect it from the power socket.

DRIP-STOP FUNCTION

- The Drip-Stop function will allow you to serve coffee before the end of the drip process.
1. Once at least half the amount of coffee is brewed, you may remove the kettle A⑫ from the coffeemaker. The Drip-Stop shut-off valve will be activated and coffee will stop dripping.
 2. Serve the required amount of coffee and place the kettle A⑫ back on the hotplate A⑬ within approximately 1 minute of taking it off to avoid the filter from overflowing with hot water.
 3. When the kettle A⑫ is placed back under the brew chamber A⑨, the drip process will resume automatically.



Note:

Coffee served prior to the completion of the drip process may taste differently to the coffee served at the end of the drip process.

CLEANING AND MAINTENANCE

- Before cleaning the coffeemaker, disconnect it from the power socket and allow it to fully cool down.
- After each use, remove the coffee grounds. Thoroughly wash the permanent filter A⑦ and filter holder A⑧ and kettle A⑫ using clean warm water. Dry all these parts with a wiping cloth.



Note:

To clean the permanent filter A⑦ you may use a nylon brush.

- Clean the outer surface of the coffeemaker using a fine lightly damp cloth. Use dishwashing detergent to remove coffee stains.
- Never use cleaning products causing abrasion, petrol or solvents for cleaning.
- Do not submerge the coffeemaker in water or in any other liquid.

Removing limescale deposits

- It is necessary to regularly remove limescale deposits from the coffeemaker. Limescale deposits may prolong the coffee brewing time and negatively affect the quality of the brewed coffee. In the case of daily use of the coffeemaker, we recommended to remove the limescale deposits:
 - once per month in areas with hard and very hard water;
 - once every 2 to 3 months in areas with soft and medium soft water.
- Use a coffeemaker descaling agent to remove limescale deposits. Mix the descaling agent with water in the glass kettle A⑫. Fill the water tank A③ with the solution all the way up to the maximum level line. Insert the filter holder A⑧ and the permanent filter A⑦ into the brew chamber A⑨. Set the hot water arm A② above the filter A⑦ and close the lid A①. Start the coffeemaker and allow the entire solution to flow through it. Then turn off the coffeemaker.



Warning:

During the cleaning process more steam may be emitted from the lid A① than when coffee is being brewed, so do not tamper with the lid A① while the coffeemaker is in operation.

- After using the solution, allow clean water to run through the coffeemaker two to three times. Allow the coffeemaker to cool down for at least 10 minutes between the individual cycles. Finally, rinse out the kettle A⑫ with clean water.

TECHNICAL SPECIFICATIONS

Rated voltage range	220–240 V
Rated frequency	50/60 Hz
Rated power input	1 000 W
Water tank capacity	1.25 l

We reserve the right to change text and technical specifications.

INSTRUCTIONS AND INFORMATION REGARDING THE DISPOSAL OF USED PACKAGING MATERIALS

Dispose of used packaging material at a site designated for waste in your municipality.

DISPOSAL OF USED ELECTRICAL AND ELECTRONIC EQUIPMENT



This symbol on products or original documents means that used electric or electronic products must not be added to ordinary municipal waste. For proper disposal, renewal and recycling hand over these appliances to determined collection points. Alternatively, in some European Union states or other European countries you may return your appliances to the local retailer when buying an equivalent new appliance.

Correct disposal of this product helps save valuable natural resources and prevents potential negative effects on the environment and human health, which could result from improper waste disposal. Ask your local authorities or collection facility for more details.

In accordance with national regulations penalties may be imposed for the incorrect disposal of this type of waste.

For business entities in European Union states

If you want to dispose of electric or electronic appliances, ask your retailer or supplier for the necessary information.

Disposal in other countries outside the European Union.

This symbol is valid in the European Union. If you wish to dispose of this product, request the necessary information about the correct disposal method from the local council or from your retailer.



This appliance meets all the basic requirements of EU directives related to it.