

# Microwave oven

User's manual

EN



**SENCOR®**

SMW 1917WH

Prior to using this appliance, please read the user's manual thoroughly, even in cases, when one has already familiarised themselves with previous use of similar types of appliances. Only use the appliance in the manner described in this user's manual. Keep this user's manual in a safe place where it can be easily retrieved for future use.

We recommend saving the original cardboard box, packaging material, purchase receipt and responsibility statement of the vendor and warranty card for at least the duration of the legal liability for unsatisfactory performance or quality. In the event of transportation, we recommend that you pack the appliance in the original box from the manufacturer.

EN-1

## TABLE OF CONTENTS

IMPORTANT SAFETY INSTRUCTIONS .....	3
DESCRIPTION OF THE MICROWAVE OVEN .....	7
DESCRIPTION OF THE CONTROL PANEL .....	7
INSTALLATION .....	8
GROUNDING INSTRUCTIONS .....	8
OPERATING INSTRUCTIONS FOR THE MICROWAVE OVEN .....	8
USING THE CORRECT KITCHEN COOKWARE .....	9
THE BASICS OF COOKING IN A MICROWAVE OVEN .....	11
CLEANING AND MAINTENANCE.....	11
BEFORE YOU CONTACT AN AUTHORISED SERVICE CENTRE.....	11
TECHNICAL SPECIFICATIONS .....	12
TECHNICAL SPECIFICATIONS .....	12
INSTRUCTIONS AND INFORMATION REGARDING THE DISPOSAL OF USED PACKAGING MATERIALS ....	12
DISPOSAL OF USED ELECTRICAL AND ELECTRONIC EQUIPMENT.....	12

## **IMPORTANT SAFETY INSTRUCTIONS**

### **READ CAREFULLY AND STORE FOR FUTURE USE.**

- This appliance may be used by children 8 years of age and older and by persons with physical or mental impairments or by inexperienced persons, if they are properly supervised or have been informed about how to use the product in a safe manner and understand the potential dangers. Cleaning and user maintenance must not be performed by children unless they are older than 8 years of age and under supervision. Keep this appliance and the power cord out of reach of children that are younger than 8 years of age. Children must not play with the appliance.
- Before connecting the appliance to a power socket, check that the voltage on its rating label matches the electrical voltage in the power socket.
- Connect the appliance only to a properly grounded socket.
- The microwave oven is designed for domestic use and similar places such as:
  - staff kitchens in stores, offices and other workplaces;
  - in agriculture;
  - hotel or motel rooms and other living areas;
  - bed and breakfast establishments.
- Do not use the microwave oven outdoors or subject it to the effects of the outdoor environment.
- Do not place the microwave oven on window sills, kitchen sink drainboards or unstable surfaces. Always place it on a stable, even and dry surface.
- This microwave oven is not designed to be built-in into a cabinet.
- Never use the microwave oven in the direct vicinity of a bath, shower or swimming pool.

- The microwave oven is designed for heating food and beverages. Only use the microwave oven for the purposes for which it was designed and in the manner described in this user's manual. Dehydrating food or drying clothes and heating up heating cushions, home footwear, washing sponges, damp textiles and similar items may lead to an injury hazard, ignition or fire. Do not use the microwave for industrial or laboratory purposes.
- To ensure sufficient air circulation there must be free space left around the microwave oven. Ensure free space of 20 cm above the top surface of the oven, 10 cm from behind and on the sides. Do not block any opening of the oven. Do not remove the feet of the oven.
- Do not use the kitchen utensils listed below in the microwave oven:
  - metal pans and crockery with metal handles or with metal decorations;
  - clamps on plastic bags;
  - dishes with melamine surface treatment;
  - standard thermometers, which are used for measuring the temperature of meat, etc.
- Kitchen dishes may become hot as a result of the heat transferred from the heated food. Sometimes it is necessary to use kitchen gloves.
- Do not attempt to use the microwave oven with the door open. You could expose yourself to the harmful effect of microwaves. Do not run the microwave oven when it is empty.
- Use only kitchen dishes suitable for use in microwave ovens. When heating a meal on plastic or paper dishes, regularly check the oven to prevent it catching on fire.
- If you notice smoke, turn off the microwave oven and disconnect the power plug from the socket. Leave the oven door closed to prevent potential fire from spreading.



## Warning:

Liquids or other food must not be heated in closed containers as they could explode.

- Heating of beverages in the microwave may cause a delayed boil and so you should be careful when handling containers and dishes.
- Be especially careful when handling heated beverages and foodstuffs as hot steam may be released from them.
- Eggs in their shells and whole hard boiled eggs must not be heated in the microwave oven because they could explode even after the microwave heating process has finished.
- Do not fry food in the microwave oven. Hot oil may damage parts of the oven, dishes or may also cause skin burns.
- Before cooking, prick food that has a thick peel, such as potatoes, pumpkins, apples.
- The content of baby bottles and baby food needs to be mixed or shaken before being served to an infant or child and the temperature needs to be checked to prevent burns.
- When not using the oven, do not leave paper materials, kitchen dishes or food inside.
- Keep the inside of the oven clean. If the walls of the oven are splattered with food juices then wipe them away using a damp cloth. If the oven is heavily soiled, you can use a weak solution of a neutral kitchen detergent.
- Regularly clean the door and the window of the oven from both sides, the door gasket seal and neighbouring parts and any food remains. For cleaning, we recommend the use of a weak kitchen detergent solution. Ensure that remains of the cleaning agent do not remain on the inside wall.
- Clean the oven regularly according to the above mentioned instructions and remove any food that remains inside it. Failure to keep the oven clean could lead to surface damage, which could adversely affect the lifetime of the appliance and could lead to a dangerous situation.

**Warning:**

If the door or the door gasket seal is damaged then the oven must not be used until repaired by an authorised service centre.

- Do not use the microwave oven if the power cord or power plug is damaged, if it is not working correctly, if it is damaged or if it has been dropped on the floor. Any repair of the microwave oven or replacement of a damaged power cord may only be carried out by an authorised service centre, as this will prevent a dangerous situation from occurring.

**Warning:**

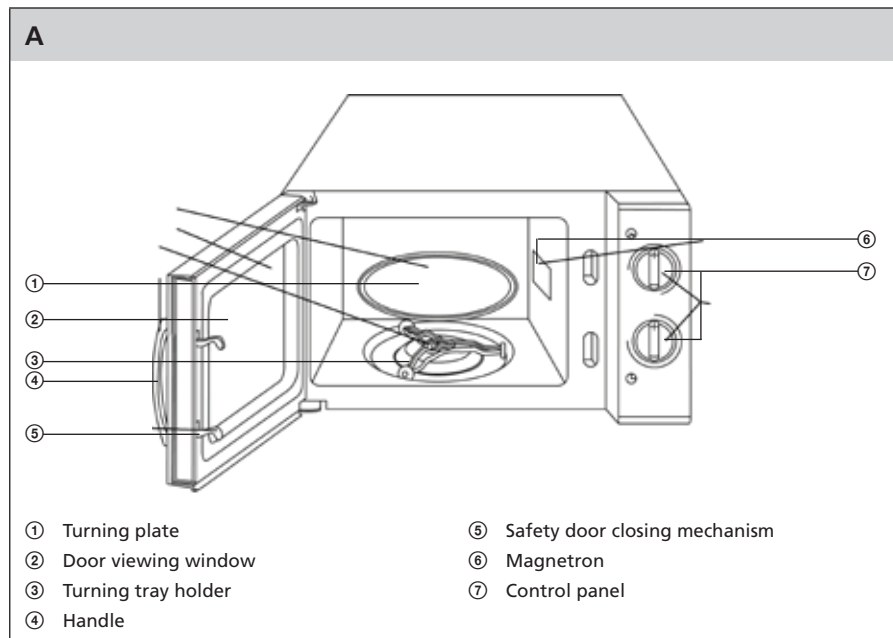
It is dangerous for anybody other than an authorised service centre to carry out any repairs or maintenance whatsoever that leads to the removal of any cover providing protection against microwave energy radiation.

# Microwave oven

SMW 1917WH

EN

## DESCRIPTION OF THE MICROWAVE OVEN



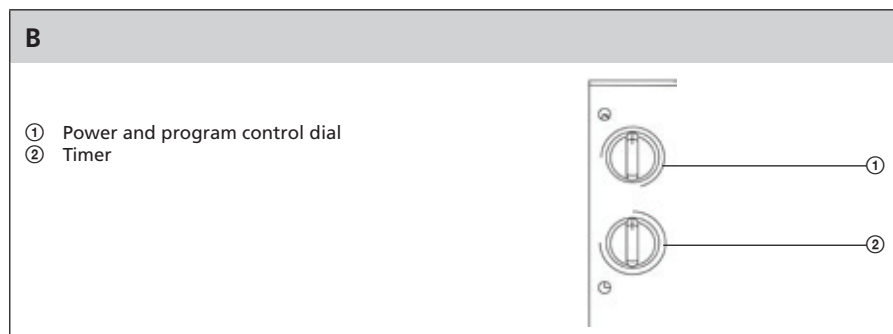
## DESCRIPTION OF THE CONTROL PANEL

### 1. Power and program control dial

Setting the microwave power level

### 2. Timer

Time setting range of 0–30 minutes



## INSTALLATION

1. Make sure that you have taken all packaging materials, such as plastic bags, polystyrene, etc. out from inside the oven.

**Note:**

Do not remove the cover of the magnetron A⑥, which is located on the right side of the inside area of the oven.

**Warning:**

Check whether the oven is damaged in any way, e.g. whether the oven door is incorrectly attached or dented, whether the door gasket seal is damaged or whether the hinges or locks are loose. If you discover any damage, do not use the oven and contact a qualified service technician.

2. The microwave oven must be placed on an even, stable surface, that can bear its weight even with the food inside.
3. Do not locate the oven near sources of heat, in locations with increased humidity or near flammable materials.
4. This appliance is designed to be used in open space, it is not designed to be built-in.
5. Do not use the oven without the turning plate A1 installed.
6. Make sure that the power cord is not underneath the oven or in contact with hot or sharp surfaces.
7. The electrical power socket must be easily accessible in case it is necessary to quickly disconnect the power cord.

## GROUNDING INSTRUCTIONS

- This microwave oven must be grounded. The microwave oven is equipped with a power cord, which has a grounding wire with a grounded power plug. The power plug must be connected to an electric power socket, which is properly installed and grounded. Grounding reduces the risk of electrical shock. In the case of a short circuit the electric current is conducted through the grounding wire. We recommend that the oven be connected to an independent electrical circuit.

**Warning:**

An incorrectly grounded power socket may present a danger of electric shock.

**Note:**

If you have any questions regarding grounding or electrical instructions, consult all such matters with a qualified electrician or repair person.

Neither the manufacturer nor the vendor take any responsibility for whatever damage to the oven or injury resulting from an incorrect electrical connection.

## OPERATING INSTRUCTIONS FOR THE MICROWAVE OVEN

1. Install the turning tray holder A③ and the turning tray A① into the microwave oven before first use.

**Note:**

The tray A① must turn freely when the microwave oven is in operation.



# Microwave oven

SMW 1917WH

EN

2. Connect the power cord plug to a power socket.
3. Place the food you wish to cook into a container suitable for use in a microwave. Open the microwave oven door and place the container with the food on to the turning tray A1.
4. Close the oven door and set the desired power level using the power control dial B①.

Information on the control panel	Power level
LOW	Low (17 %)
DEFROST	Defrosting (40 %)
M.LOW	Medium low (48 %)
MED	Medium (66 %)
M.HIGH	Medium high (85 %)
HIGH	High (100 %)



**Attention:**

Do not leave the microwave oven in operation without supervision.

5. If you wish to check the condition of the food during the cooking process, open the door. The microwave oven will automatically stop. Close the door to complete the cooking process.
6. The microwave oven will turn itself off automatically at the end of the set time. If you wish to end the cooking process earlier, set the timer B② to 0.
7. Take the container with the food out of the microwave oven.



**Note:**

Dishes may become hot as a result of the heat transferred from the heated food. In such a case use protective kitchen gloves.

8. Check the temperature of the food before consuming it.

## USING THE CORRECT KITCHEN COOKWARE

1. The ideal type of cookware for cooking in the microwave oven is a transparent container, which permits the penetration of microwaves inside for the heating of food.
2. Metal dishes or bowls with a metal rim should not be used, because microwaves cannot pass through metals.
3. Do not use recycled paper products for cooking in the microwave because they may contain small metal particles.
4. It is better to use circular or oval containers than square or rectangular containers. Food located in the corners has a tendency to overcook.
5. You should use containers suitable for microwave ovens only in accordance with the instructions of the manufacturer.

# Microwave oven

SMW 1917WH

This general list will help you select the right dishes.

Kitchen dishes	Safe use	Notes
Special plates for creating a crust	•	Do not use them longer than 8 minutes.
Porcelain and pottery dishes	•	Porcelain, pottery dishes including glazed dishes and bone porcelain are suitable if they do not have metal decorations.
Single use polyester plates	•	Plates are used for the packaging of some frozen foods.
<b>Wrapped ready food</b>		
• Polystyrene cups	•	May be used to heat foods. Overheating may cause the polystyrene to melt.
• Paper bags or newspapers	x	May catch on fire in the oven.
• Recycled paper or metal edging	x	May cause sparks in the oven.
<b>Glass</b>		
• Glass cookware	•	May be used if it doesn't have metal decorations.
• Fine glass	•	May be used to heat foods and beverages. Fine glass may crack, if it is suddenly heated to a higher temperature.
• Glass jars	•	Remove the lid. Use only for heating.
<b>Metal dishes</b>		
• Plates	x	May cause sparks in the oven or food to catch on fire.
• Metal bag clips	x	
<b>Paper dishes</b>		
• Plates, cups, napkins and kitchen paper towels	•	Are appropriate for a short time for heating and cooking, likewise for the absorption of excess moisture.
• Recycled paper	x	May cause sparks in the oven.
<b>Plastic dishes</b>		
• Dishes	•	Use only heat resistant plastics, other plastics may due to high temperatures lose their shape or colour. Do not use products from melamine.
• Wrapping foils	•	Use to maintain moisture, should not come into contact with food. When removing them be careful of the escaping steam.
• Bags for frozen foods	▲	Only if intended for cooking or resistant against high temperatures. Must not be airtight. If necessary penetrate using a fork.
<b>Waxed paper</b>	•	May be used to maintain moisture in foods and for preventing drops of fat and juices from spraying.

• recommended use; ▲ limited use; x not recommended;

### THE BASICS OF COOKING IN A MICROWAVE OVEN

1. Carefully organise the food. Place the larger food pieces on the perimeter of the dish.
2. Place the food on an appropriate dish before putting it into the oven. Do not prepare food directly on the turning plate A①.
3. Set the correct cooking time. We recommend that you set a shorter cooking time and extend it if necessary. When cooking foods at high temperatures smoke may be created or a fire may start.
4. Cover the food before cooking. You will prevent juices from splashing around by covering the food.
5. To speed up the cooking of foods, such as chickens or hamburgers, turn them over once during the cooking process. Large pieces of food such as roasts must be turned over at least once.
6. When cooking, organise foods such as hamburgers from the top down and from the centre of the dish to its edge.

### CLEANING AND MAINTENANCE

Before cleaning the oven, always turn it off and disconnect it from the power supply.

1. Before first use, wash the turning tray A① in a weak solution of kitchen detergent and then rinse thoroughly under running drinking water.
2. To prevent damaging the operating parts of the oven, make sure that during cleaning, water does not enter the ventilation openings located on the left hand side of the microwave oven.
3. From time to time it is necessary to remove the turning tray A① and clean it. Clean the turning tray A① in warm soapy water or in a dishwasher.
4. The turning tray holder A③ and the underside of the inside area of the oven should be regularly cleaned to prevent excessive noise. Simply clean out the underside of the inside area of the oven using a weak neutral kitchen detergent solution. You may clean the turning tray holder A③ in a weak neutral kitchen detergent solution or in a dishwasher. After cleaning it, insert it back into the microwave oven.
5. If it becomes necessary to replace the lighting inside the oven, please contact the vendor or an authorised service centre.
6. Clean the oven regularly according to the above mentioned instructions and remove any food that remains inside it. Failure to keep the oven clean could lead to surface damage, which could adversely affect the lifetime of the appliance and could lead to a dangerous situation.

### BEFORE YOU CONTACT AN AUTHORISED SERVICE CENTRE

If the microwave oven is not working:

- check that the oven is properly connected to the power grid. If you are not sure, disconnect the power plug from the power socket, wait 10 seconds and then reconnect it.
- check that a circuit breaker has not disengaged. If the microwave oven is still not working, check on a different device whether the electric power socket is working.
- check that you have set the proper values on the control panel.
- check that the oven door is properly closed. Otherwise, it is not possible to start the set cooking program.



**Warning:**

If the above mentioned steps do not help, contact an authorised service centre. Do not attempt to modify or repair the microwave oven yourself.

## TECHNICAL SPECIFICATIONS

Rated voltage range .....	230–240 V
Rated frequency .....	50 Hz
Rated power input .....	1,200 W
Microwave power output .....	700 W
Operating frequency .....	2,450 MHz
Noise level .....	58 dB(A)
Diameter of the turning plate.....	245 mm
Volume.....	17 l
External dimensions (w x d x h).....	452 x 345 x 262 mm
Weight .....	10.5 kg

The declared noise emission level of the appliance is 58 dB(A), which represents a level A of acoustic power with respect to a reference acoustic power of 1 pW.

We reserve the right to change text and technical specifications.

## INSTRUCTIONS AND INFORMATION REGARDING THE DISPOSAL OF USED PACKAGING MATERIALS

Dispose of used packaging material at a site designated for waste in your municipality.

## DISPOSAL OF USED ELECTRICAL AND ELECTRONIC EQUIPMENT



This symbol on products or original documents means that used electric or electronic products must not be added to ordinary municipal waste. For proper disposal, renewal and recycling hand over these appliances to determined collection points. Alternatively, in some European Union states or other European countries you may return your appliances to the local retailer when buying an equivalent new appliance.

Correct disposal of this product helps save valuable natural resources and prevents potential negative effects on the environment and human health, which could result from improper waste disposal. Ask your local authorities or collection facility for more details.

In accordance with national regulations penalties may be imposed for the incorrect disposal of this type of waste.

### For business entities in European Union states

If you want to dispose of electric or electronic appliances, ask your retailer or supplier for the necessary information.

### Disposal in other countries outside the European Union.

This symbol is valid in the European Union. If you wish to dispose of this product, request the necessary information about the correct disposal method from the local council or from your vendor



This appliance meets all the basic requirements of EU directives related to it.